



1.1

Plugs and sockets for industrial applications

- OPTIMA Series
- DOMO Series
- DOMOPLUS Series
- OMNIAPLUS Series





OPTIMA Series

Plugs and sockets for industrial applications

1

PLUGS AND SOCKETS



INDUSTRIAL PLUGS AND SOCKETS



VERSIONS

	Plugs
	Connectors
	Appliance inlets
	Flush mounting socket outlets

REFERENCE STANDARDS

EN 60309-1
Plugs, socket-outlets and couplers for industrial purposes.
Part 1: general requirements.

EN 60309-2
Plugs, socket-outlets and couplers for industrial purposes.
Part 2: dimensional interchangeability requirements for pin and contact-tube accessories.

QUALITY MARKS



TECHNICAL CHARACTERISTICS

Rated current:	20A-32A-63A-125A
Rated voltage:	100÷690V~
Frequency:	c.c - 50÷500Hz
Insulating voltage:	500/690V~
Protection degree:	IP44-IP66/IP67
Operating temperature according to the reference standard:	-25°C +40°C
Max operating temperature:	60°C
Glow Wire test:	650°C/850°C
Material:	Engineering plastic
IK degree at 20°C:	IK08
Cable inlets:	Cable gland
Halogen free:	Yes
Terminals:	Screw (20A-32A-63A-125A)
Snap-on device:	20A-32A

BEHAVIOUR WITH CHEMICAL AND ATMOSPHERIC AGENTS

Saline solution	Acids		Bases		Solvents				Mineral oil	UV rays
	Concentrated	Diluted	Concentrated	Diluted	Hexane	Benzol	Acetone	Alcohol		
Resistant	Limited Resistance	Resistant	Resistant	Resistant	Not Resistant	Not Resistant	Not Resistant	Limited Resistance	Resistant	Limited Resistance

PLUGS



Current rating	No of poles	Hr position	Voltage AC	IP44	IP66/IP67
20A	2P+E	6	200-250	213.2033	218.2033
	3P+E		380-415	213.2036	218.2036
	3P+N+E		346-415	213.2037	218.2037
32A	2P+E	6	200-250	213.3233	218.3233
	3P+E		380-415	213.3236	218.3236
	3P+N+E		346-415	213.3237	218.3237
63A	2P+E	6	200-250	213.6333	218.6333
	3P+E		380-415	213.6336	218.6336
	3P+N+E		346-415	213.6337	218.6337
125A	2P+E	6	200-250		218.12533
	3P+E		380-415		218.12536
	3P+N+E		346-415		218.12537

WIRING AND INSTALLATION

Wiring capacity of the terminals
Cross-section of the connectable conductors (mm²)

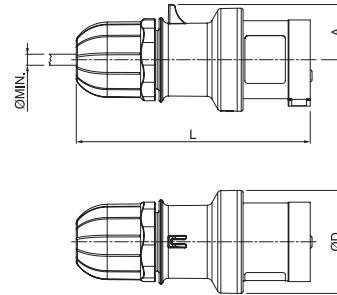
Rated voltage	Rated current (A)	Plugs, connectors and appliance inlets		Socket outlets	
		Min	Max	Min	Max
>50V	20A	1	2,5	1,5	4
	32A	2,5	6	2,5	10
	63A	6	16	6	25
	125A	16	50	25	70

Max. cable size accepted by the cable clamp:

Rated current (A)	Outside Ø mm	
	Min	Max
20A	8	15
32A	11,5	21
63A	17	31
125A	26	48

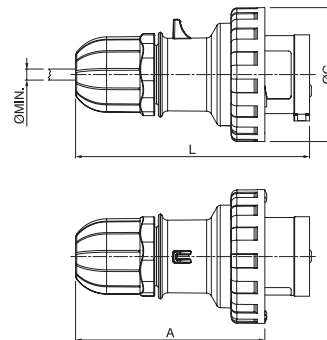
DIMENSIONS

IP44



		A	Ø D	L Min	Ø Min
20A	2P+E	30	56	128	6
	3P+E	34	60	135	6
	3P+N+E	38	65	153	9
32A	2P+E	40	65	162	9
	3P+E	40	65	162	9
	3P+N+E	45	73	176	13
63A		50	102	220	17

IP66/IP67



		A	Ø G	L Min	Ø Min
20A	2P+E	103	73	128	6
	3P+E	110	81	135	6
	3P+N+E	129	88	153	9
32A	2P+E	131	93	162	9
	3P+E	131	93	162	9
	3P+N+E	145	101	176	13
63A		160	112	220	17
125A		202	128	272	26

(Dimensions in mm)

OPTIMA Series

Plugs and sockets for industrial applications

1

PLUGS AND SOCKETS



2

3

PANEL MOUNTING APPLIANCE INLETS

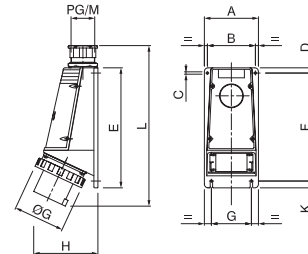
245.



Current rating	No of poles	Hr position	Voltage AC	IP66/IP67 metric entry
63A	2P+E	6	200-250	245.M6393
	3P+E		380-415	245.M6396
	3P+N+E		346-415	245.M6398
125A	2P+E	6	200-250	245.M12593
	3P+E		380-415	245.M12596
	3P+N+E		346-415	245.M12598

DIMENSIONS

IP66/IP67



	A	B	ØC	ØD	E	F	ØG	H	I	
63A	2P+E	85	80	79	4.5	110	100	112	88.5	44.5
	3P+E	85	80	79	4.5	110	100	112	88.5	44.5
	3P+N+E	80	85	79	4.5	110	100	112	88.5	44.5
125A	2P+E	100	100	90	6	114	114	128.5	97	53.5
	3P+E	100	100	90	6	114	114	128.5	97	53.5
	3P+N+E	100	100	90	6	114	114	128.5	97	53.5

(Dimensions in mm)

PANEL MOUNTING APPLIANCE INLETS

243.



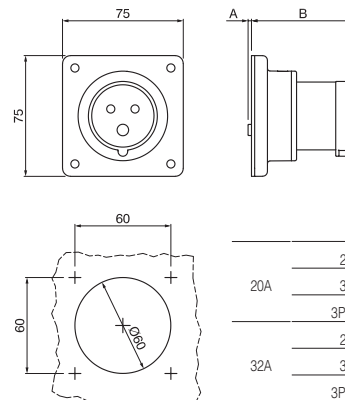
248.



Current rating	No of poles	Hr position	Voltage AC	IP44	IP66/IP67
20A	2P+E	6	200-250	243.2093	248.2093
	3P+E		380-415	243.2096	248.2096
	3P+N+E		346-415	243.2097	248.2097
32A	2P+E	6	200-250	243.3293	248.3293
	3P+E		380-415	243.3296	248.3296
	3P+N+E		346-415	243.3297	248.3297
63A	2P+E	6	200-250		248.6393
	3P+E		380-415		248.6396
	3P+N+E		346-415		248.6398
125A	2P+E	6	200-250		248.12593
	3P+E		380-415		248.12596
	3P+N+E		346-415		248.12597

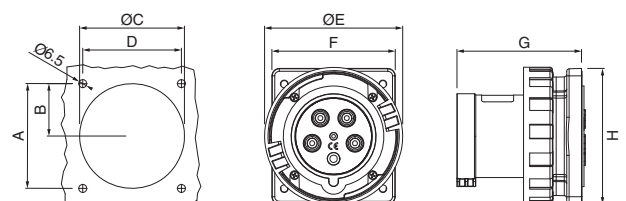
DIMENSIONS

IP44



	A	B
20A	2P+E	2 65
	3P+E	2 65
	3P+N+E	2 65
32A	2P+E	19 73
	3P+E	19 73
	3P+N+E	19 73

IP66/IP67



(Dimensions in mm)

CONNECTORS

313.

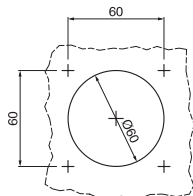
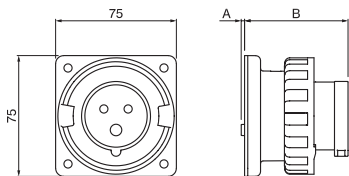


318.



Current rating	No of poles	Hr position	Voltage AC	IP44	IP66/IP67
20A	2P+E	6	200-250	313.2043	318.2043
	3P+E		380-415	313.2046	318.2046
	3P+N+E		346-415	313.2047	318.2047
32A	2P+E	6	200-250	313.3243	318.3243
	3P+E		380-415	313.3246	318.3246
	3P+N+E		346-415	313.3247	318.3247
63A	2P+E	6	200-250	313.6343	318.6343
	3P+E		380-415	313.6346	318.6346
	3P+N+E		346-415	313.6347	318.6347
125A	2P+E	6	200-250		318.12543
	3P+E		380-415		318.12546
	3P+N+E		346-415		318.12547

IP66/IP67

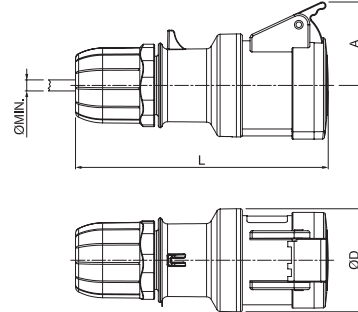


	A	B
20A	2P+E	2 65
	3P+E	2 65
	3P+N+E	2 65
32A	2P+E	19 73
	3P+E	19 73
	3P+N+E	19 73

IP66/IP67	A	B	ØC	D	ØE	F	G	H
63A	2P+T	85	42.5	85	80	112	101	110
	3P+T	85	42.5	85	80	112	100	110
	3P+N+T	85	42.5	85	80	112	100	110
125A	2P+T	100	50	95	100	128.5	114	113.5
	3P+T	100	50	95	100	128.5	114	113.5
	3P+N+T	100	50	95	100	128.5	114	113.5

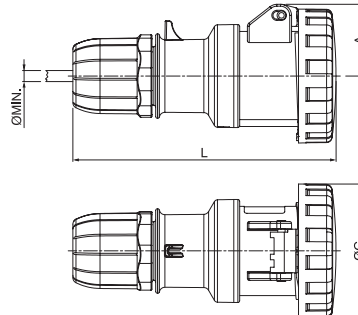
DIMENSIONS

IP44



	A	Ø D	L Min	Ø Min	
20A	2P+E	46	56	138	6
	3P+E	49	60	145	6
	3P+N+E	54	65	165	9
32A	2P+E	54	65	175	9
	3P+E	54	65	175	9
	3P+N+E	59	73	190	13
63A	73	102	230	17	

IP66/IP67



	A	Ø G	L Min	Ø Min	
20A	2P+E	39	73	141	6
	3P+E	43	81	148	6
	3P+N+E	51	88	168	9
32A	2P+E	56	93	178	9
	3P+E	56	93	178	9
	3P+N+E	52	101	195	13
63A	57.5	112	230	17	
125A	64.25	128	288	26	

(Dimensions in mm)



“Snap-on” device with stainless steel spring to guarantee frequent opening/closing (possibility to inspect the terminals).



Insertion of the conductor with insulation into the performing terminal.

OPTIMA Series

Plugs and sockets for industrial applications

1

PLUGS AND SOCKETS



2

3

FLUSH MOUNTING SOCKET OUTLETS

413.



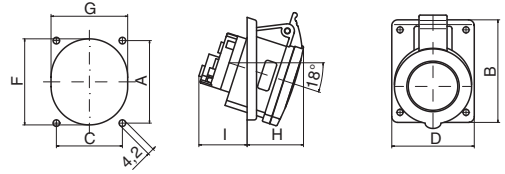
418.



Current rating	No of poles	Hr position	Voltage AC	IP44	IP66/IP67
20A	2P+E	6	200-250	413.2063	418.2063
	3P+E		380-415	413.2066	418.2066
	3P+N+E		346-415	413.2067	418.2067
32A	2P+E	6	200-250	413.3263	418.3263
	3P+E		380-415	413.3266	418.3266
	3P+N+E		346-415	413.3267	418.3267
63A	2P+E	6	200-250	413.6363	418.6363
	3P+E		380-415	413.6366	418.6366
	3P+N+E		346-415	413.6367	418.6367
125A	2P+E	6	200-250		418.12563
	3P+E		380-415		418.12566
	3P+N+E		346-415		418.12567

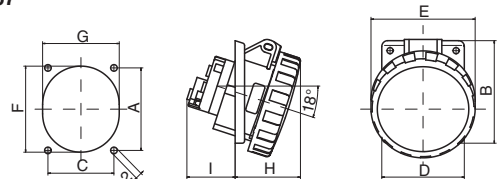
DIMENSIONS

IP44

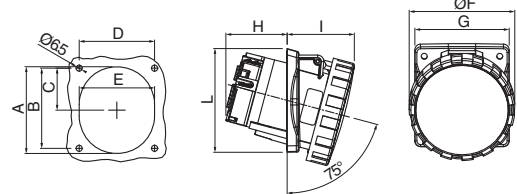


IP44	A	B	C	D	F	G	H	I	
16A	2P+E	70	87	56	70	73	65	45	40
	3P+E	70	87	56	70	73	65	46	40
	3P+N+E	70	87	56	70	73	65	48	41
32A	2P+E	90	106	68	84	87	76	52	60
	3P+E	90	106	68	84	87	76	52	60
	3P+N+E	90	106	68	84	87	76	54	61

IP66/IP67



IP66/IP67	A	B	C	D	E	F	G	H	I	
16A	2P+T	70	87	56	70	73	65	52	40	
	3P+T	70	87	56	70	81	73	65	40	
	3P+N+T	70	87	56	70	88	73	65	55	41
32A	2P+T	90	106	68	84	93	87	76	61	60
	3P+T	90	106	68	84	93	87	76	61	60
	3P+N+T	90	106	68	84	101	87	76	63	61



IP66/IP67	A	B	C	D	E	ØF	G	H	I	L
63A	2P+T	92	85	44.5	80	112	100	65	71.2	110
	3P+T	92	85	44.5	80	112	100	65	71.2	110
	3P+N+T	92	85	44.5	80	112	100	65	71.2	110
125A	2P+T	104	90	45	90	92	128.5	114	75.4	114.5
	3P+T	104	90	45	90	92	128.5	114	75.4	114.5
	3P+N+T	104	90	45	90	92	128.5	114	75.4	114.5

SURFACE MOUNTING SOCKET OUTLETS

513.



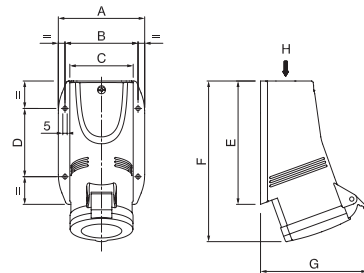
518.



Current rating	No of poles	Hr position	Voltage AC	IP44	IP66/IP67
20A	2P+E	6	200-250	513.2053	518.2053
	3P+E		380-415	513.2056	518.2056
	3P+N+E		346-415	513.2057	518.2057
32A	2P+E	6	200-250	513.3253	518.3253
	3P+E		380-415	513.3256	518.3256
	3P+N+E		346-415	513.3257	518.3257

DIMENSIONS

IP44



IP44	A	B	C	D	E	F	G	H
20A	2P+E	76	63	52	/	103	133	98
	3P+E	91	76	65	60	123	155	103
	3P+N+E	91	76	65	60	123	157	110
32A	2P+E	99	84	72	78	141	182	115
	3P+E	99	84	72	78	141	182	115
	3P+N+E	99	84	72	78	141	184	122

SURFACE MOUNTING SOCKET OUTLETS

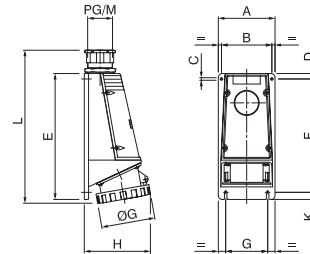
DIMENSIONS

515.



Current rating	No of poles	Hr position	Voltage AC	IP66/IP67
63A	2P+E	6	200-250	515.M6353
	3P+E		380-415	515.M6356
	3P+N+E		346-415	515.M6357
125A	2P+E	6	200-250	515.M12553
	3P+E		380-415	515.M12556
	3P+N+E		346-415	515.M12557

IP66/IP67



	A	B	C	D	E	F	G	H	K	L	PG/M	ØG	
63A	2P+E	115	96	6	10	235	205	80	125	15	267	29/32	112
	3P+E	115	96	6	10	235	205	80	125	15	267	29/32	112
	3P+N+E	115	96	6	10	235	205	80	125	15	267	29/32	112
125A	2P+E	135	120	6	13	300	270	100	157	17	346	48/63	128
	3P+E	135	120	6	13	300	270	100	157	17	346	48/63	128
	3P+N+E	135	120	6	13	300	270	100	157	17	346	48/63	128

EMPTY SURFACE MOUNTING BOXES - DOMO SERIES - IP67



Cable Inlet	Suitable for sockets	Flange dim (mm)	Cable Inlet	⊞		
Knockout hole	20A	IP44/IP67	70x87	PG16	10	570.0016 (*) 570.0116
	32A	IP44/IP67	84x106	PG21	10	570.0032 (*) 570.0132
Threaded	63A	IP67	100x110	PG29	6	570.0163
	125A	IP67	114x114	PG48	6	570.0125

- Supplied with socket fastening screws.
- Screw cap with seal.
- (*) Suitable for the sealing caps.

SEALING CAPS



Description	⊞	
Sealing caps (12 pieces)	10/100	654.0080

DOMOPLUS Series

Plugs and sockets for industrial applications

1

PLUGS AND SOCKETS



2

3

DOMESTIC STANDARD SOCKETS FOR INDUSTRIAL APPLICATIONS



VERSIONS



Flush mounting flange 70x87mm IP66

CABLING CAPACITY OF THE TERMINAL

Rated voltage	Rated current (A)	Sockets	
		Min	Max
250V~	10A	0,75	2,5
	13A	2,5	6
	15A	2,5	6
	16A	1	2,5

(mmq)

REFERENCE STANDARDS

EN 60670-1 (2005-10)

Boxes and enclosures for electrical accessories for household and similar fixed electrical installations.
Part 1: general requirements.

TECHNICAL CHARACTERISTICS

Rated current:	6A-10A-13A-15A-16A
Rated voltage:	250V~
Frequency:	50Hz
Insulating voltage:	250V~
Protection degree:	IP66 (also with plug inserted)
Operating temperature:	-5°C +60°C
Installation temperature:	-20°C +60°C
Glow Wire test:	650°C / 850°C (Contact-holder base)
Halogen free:	Yes
Material:	Engineering plastic
IK degree at 20°C:	IK08
Colour:	Base: Gray RAL 7035 Cover: tinted polycarbonate


BEHAVIOUR WITH CHEMICAL AND ATMOSPHERIC AGENTS

Saline solution	Acids		Bases		Solvents				Mineral oil	UV rays
	Concentrated	Diluted	Concentrated	Diluted	Hexane	Benzol	Acetone	Alcohol		
Resistant	Limited Resistance	Resistant	Limited Resistance	Resistant	Resistant	Not Resistant	Not Resistant	Resistant	Limited Resistance	Resistant

DOMESTIC STANDARD SOCKETS FOR INDUSTRIAL APPLICATION



Standard	Description	70x87
Indian Standard 	6/16A 2P+E	570.6429



Tinted polycarbonate cover to see inside

Tilting device holder (Fixed with additional terminal strip for English version)

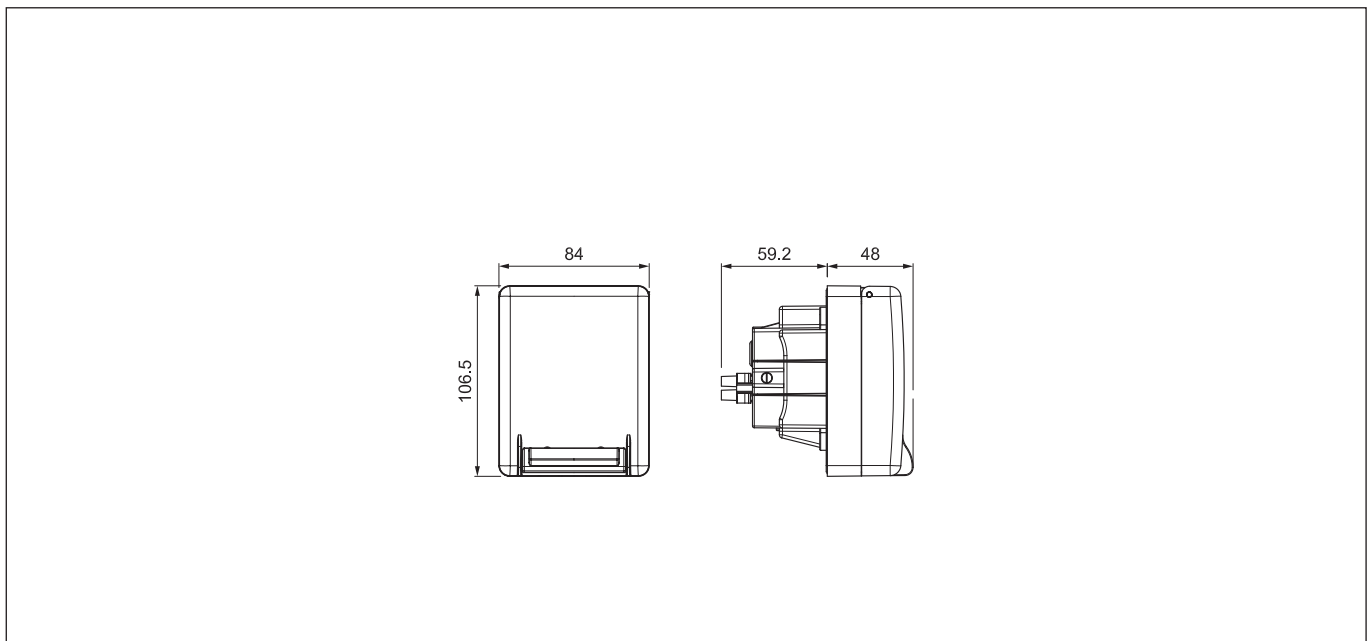
Fixing screws within the insulating gasket

A wing on the lid assists one-handed opening

Co injected gasket to guarantee total insulation

Specifically high formulated gel seal to maintain protection degree when the plug is inserted

DIMENSIONS



(Dimensions in mm)



OMNIAPLUS Series

1 PLUGS AND SOCKETS

DOMESTIC INTERLOCKED SOCKET



REFERENCE STANDARDS

IEC 60884-2-6
 Plugs and socket-outlets for household and similar purposes.
 Part 2-6: Particular requirements for switched socket-outlets with interlock for fixed electrical installations.

VERSIONS

2		Without protection
3		With fuse
		MCB
		RCBO

TECHNICAL CHARACTERISTICS

Rated current:	10A-13A-16A
Rated voltage:	250 Vac
Frequency:	50 Hz
Insulating voltage:	250 Vac
Fuse:	10A - 250V~
MCB:	16A - 1P+N, C16, 3kA 10A - 1P+N, C10, 3kA
RCBO:	16A - 1P+N, C16, 10mA, 3kA 10A - 1P+N, C10, 10mA, 3kA
Protection degree:	IP56
Operating temperature according to the reference standard:	-15°C +35°C
Maximum operating temperature:	60°C
Glow Wire test:	650°C/850°C (Contact-holder base)
Material:	Engineering plastic
IK Degree at 20°C:	IK08
Colour:	BASE: Grey RAL 7035 COVER: smoke-tinted transparent
Torque terminal screws:	1,3 Nm

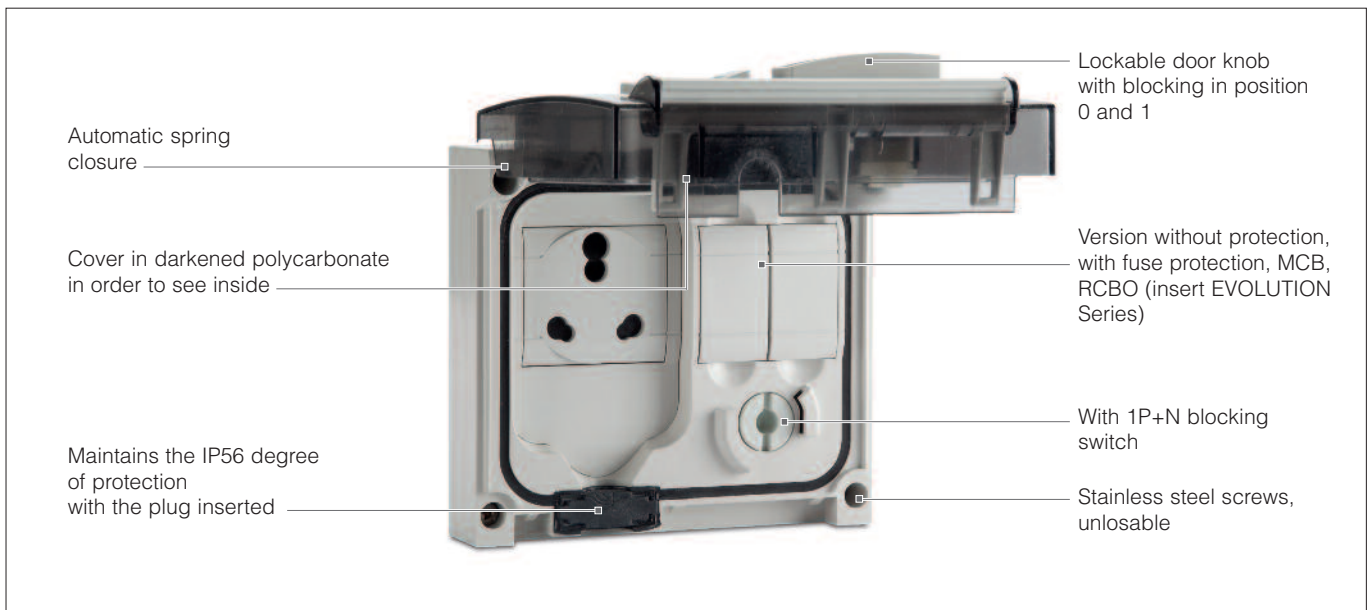
BEHAVIOUR WITH CHEMICAL AND ATMOSPHERIC AGENTS

Saline solution	Acids		Bases		Solvents				Mineral oil	UV rays
	Concentrated	Diluted	Concentrated	Diluted	Hexane	Benzol	Acetone	Alcohol		
Resistant	Limited Resistance	Resistant	Resistant	Resistant	Not Resistant	Not Resistant	Not Resistant	Limited Resistance	Resistant	Resistant

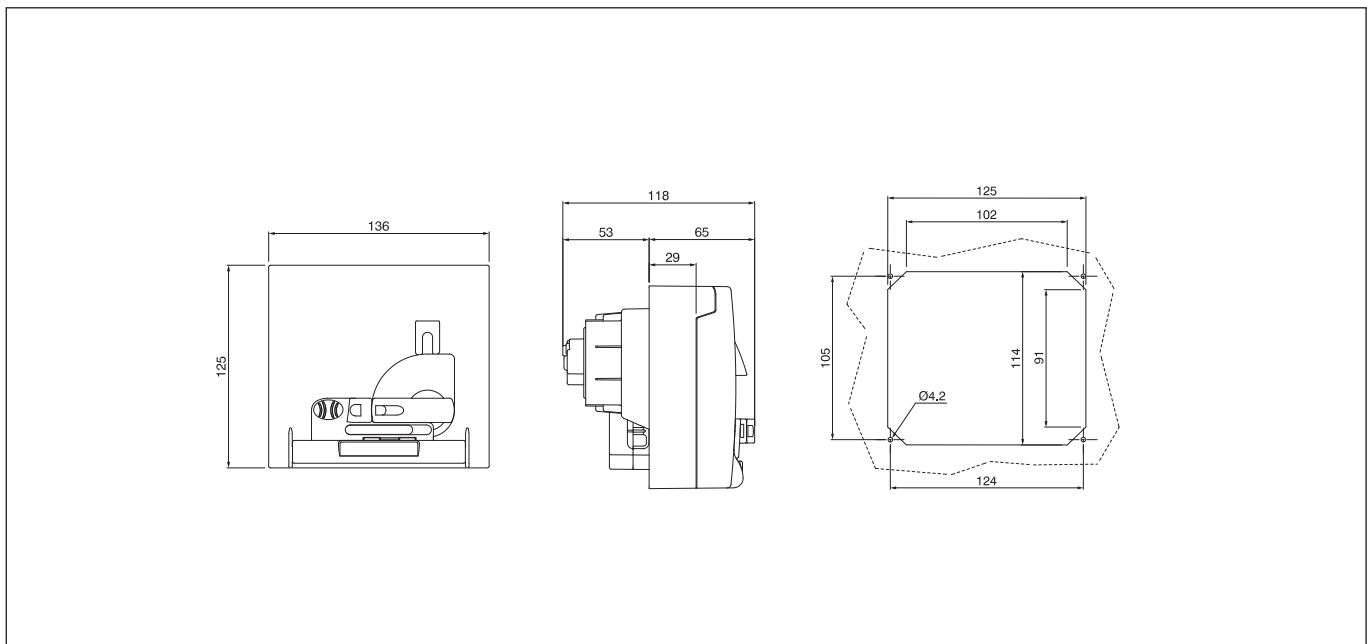
DOMESTIC INTERLOCKED SOCKETS



Standard		136x125 WITHOUT PROTECTION	136x125 FUSE 6.3X32	136x125 MCB	136x125 RCBO
Indian Standard	6/16A 2P+E	409.0429	409.1429	409.2429	409.3429



DIMENSIONS



(Dimensions in mm)

