



**2.1**

## Empty enclosures for electrical equipment

■ **DOMINO Series**

■ **SCABOX Series**

■ **BLOCK Series**

■ **CUBOX Series**

■ **ENERBOX Series**

■ **ALUBOX Series**

■ **EASYBOX Series**





# Empty enclosures

1

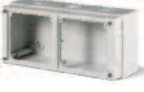



2

ENCLOSURES



3



DOMINO IP66 Series




<b>8 DIN</b>	<b>12 DIN</b>
	
<b>672.1200</b>	<b>672.2200</b>
<b>16 DIN</b>	<b>16 DIN</b>
	
<b>672.4216</b>	<b>672.5316</b>

MBOX Series


<b>MBOX2</b>	<b>MBOX3</b>	<b>MBOX5</b>
		
<b>656.0024-000</b> <b>656.0924-000</b>	<b>657.0035-000</b> <b>657.0036-000</b> <b>657.0935-000</b> <b>657.0936-000</b>	<b>658.0050-000</b> <b>658.0950-000</b>

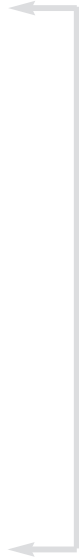
SWITCHED SOCKET OUTLETS WITH INTERLOCK

OMNIA Series - WITHOUT FUSE HOLDER




<b>400.</b>	<b>405.</b>
	
<b>IP44 - 20A-32A</b>	<b>IP67 - 20A-32A</b>
	
<b>IP67 - 63A</b>	





















OMNIPLUS Series

<b>409.</b>

<b>IP56</b>



**INDUSTRIAL PLUGS AND SOCKETS**

OPTIMA Series
<p><b>413.</b></p>  <p><b>IP44 - 20A-32A</b></p>
<p><b>418.</b></p>  <p><b>IP67 - 20A-125A</b></p>
DOMOPLUS Series
<p><b>570.</b></p>  <p><b>IP66</b></p>

DOMINO IP66 Series			
 <p><b>672.1301</b></p>	 <p><b>672.1300</b></p>	<p><b>8 DIN</b></p>  <p><b>672.2300</b></p>	<p><b>8 DIN</b></p>  <p><b>672.2301</b></p>
<p><b>12 DIN</b></p>  <p><b>672.3300</b></p>	<p><b>12 DIN</b></p>  <p><b>672.3302</b></p>	<p><b>16 DIN</b></p>  <p><b>672.4316</b></p>	<p><b>16 DIN</b></p>  <p><b>672.5616</b></p>
BLOCK Series			
<p><b>4 DIN</b></p>  <p><b>632.1500-000</b></p>	<p><b>6 DIN</b></p>  <p><b>632.3500-000</b></p>	<p><b>6 DIN</b></p>  <p><b>632.3520-000</b></p>	
<p><b>6 DIN</b></p>  <p><b>632.3530-000</b></p>	<p><b>11 DIN</b></p>  <p><b>632.3501-000</b></p>	<p><b>11 DIN</b></p>  <p><b>632.4500-000</b></p>	<p><b>11 DIN</b></p>  <p><b>632.4520-000</b></p>
<p><b>11 DIN</b></p>  <p><b>632.4530-000</b></p>	<p><b>14 DIN</b></p>  <p><b>632.5520-000</b></p>	<p><b>14 DIN</b></p>  <p><b>632.5500-000</b></p>	
MBOX Series			
<p><b>MBOX2</b></p>  <p><b>656.0026-000</b> <b>656.0926-000</b></p>		<p><b>MBOX3</b></p>  <p><b>657.0038-000</b> <b>657.0938-000</b></p>	



# DOMINO Series

1  
2  
ENCLOSURES

## CONSUMER UNITS AND ENCLOSURES



## VERSIONS

	Surface mounting - IP66
	Surface mounting - IP40 With window
	Surface mounting - IP40 Without window
	Flush mounting - IP40 With window

## REFERENCE STANDARDS

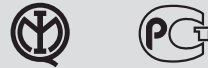
### EN 60670-1

Boxes and enclosures for electrical accessories for household and similar fixed electrical installations.  
*Part 1: general requirements.*

### CEI 23-49

Enclosure for accessories for household and similar fixed electrical installations.  
*Part 2: particular requirements for enclosures for protection devices and accessories dissipating a considerable power in normal use.*

## QUALITY MARKS



## TECHNICAL CHARACTERISTICS

Protection degree:	<b>P66</b>
Operating temperature according to the reference standard:	<b>-25°C +35°C</b>
Max. operating temperature:	<b>60°C</b>
Glow Wire test:	<b>650°C</b>
Material:	<b>Engineering plastic</b>
IK degree at 20°C:	<b>IP66: IK07</b>
Cable inlets:	<b>PG/METRIC</b>
Total insulation $\square$ :	<b>Yes</b>
Dissipable power according to CEI 23-49 standard:	<b>9÷140W</b>
Colour:	<b>Grey RAL 7035</b>
Terminal blocks fixing possibility:	<b>Yes</b>

## BEHAVIOUR WITH CHEMICAL AND ATMOSPHERIC AGENTS

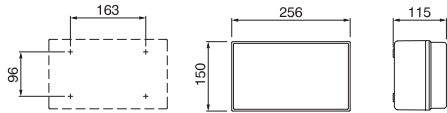
Saline solution	Acids		Bases		Solvents				Mineral oil	UV rays
	Concentrated	Diluted	Concentrated	Diluted	Hexane	Benzol	Acetone	Alcohol		
Resistant	Limited Resistance	Resistant	Limited Resistance	Resistant	Resistant	Not Resistant	Not Resistant	Resistant	Not Resistant	Resistant



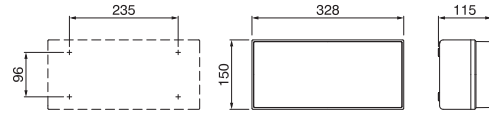
3

**DIMENSIONS**

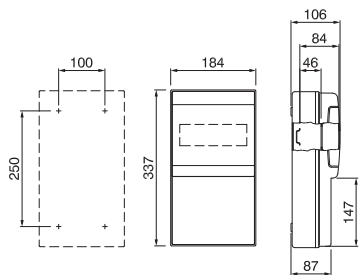
**COD. 672.1101**



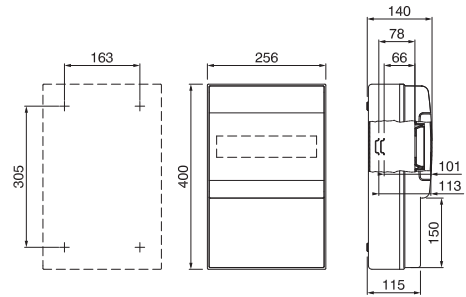
**COD. 672.1100**



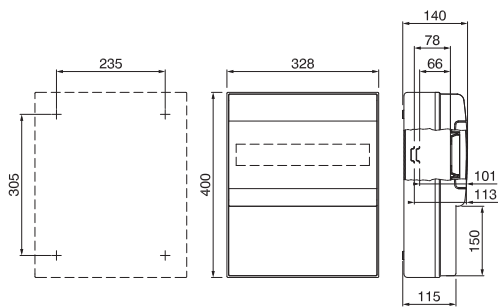
**COD. 672.2100**



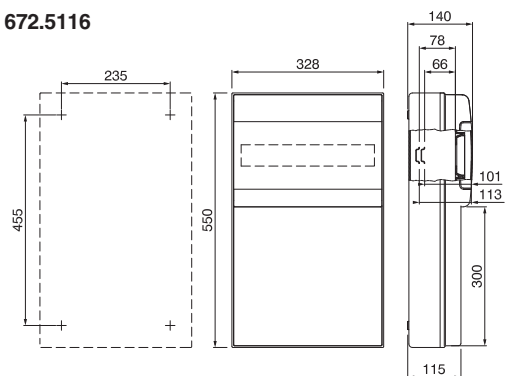
**COD. 672.3100**



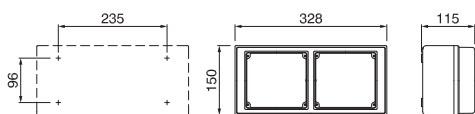
**COD. 672.4116**



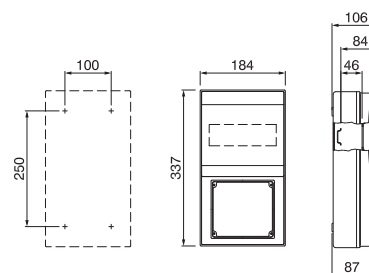
**COD. 672.5116**



**COD. 672.1200**



**COD. 672.2200**



# DOMINO Series

## DIMENSIONS

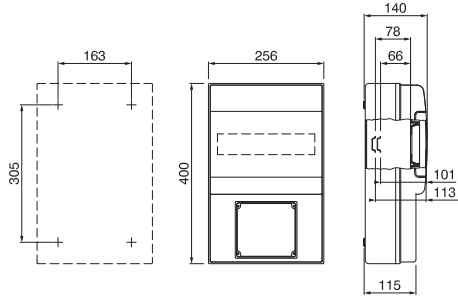
1

2

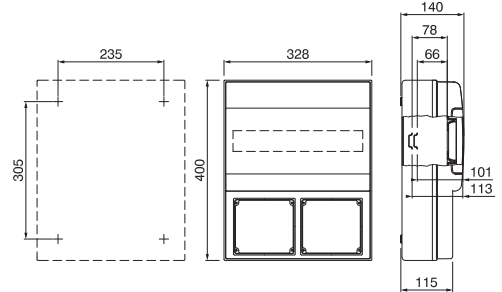
ENCLOSURES

3

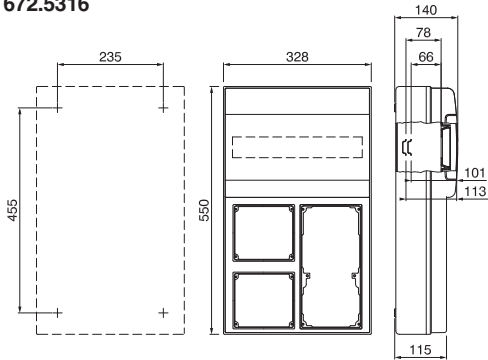
COD. 672.3200



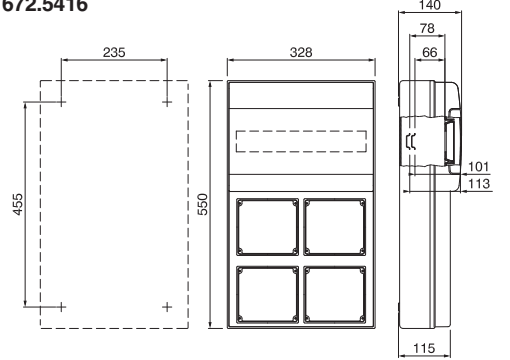
COD. 672.4216



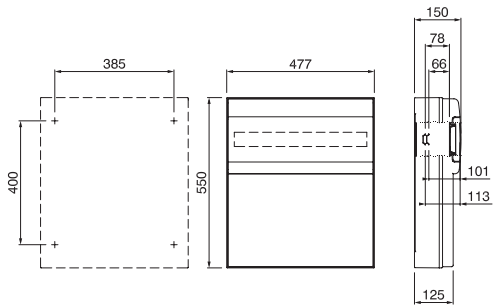
COD. 672.5316



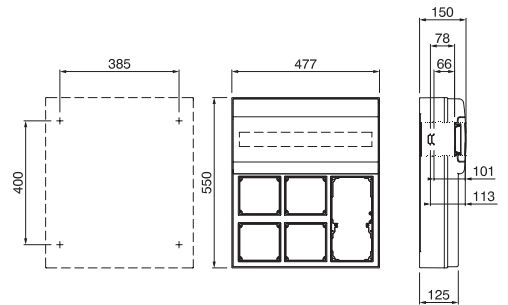
COD. 672.5416



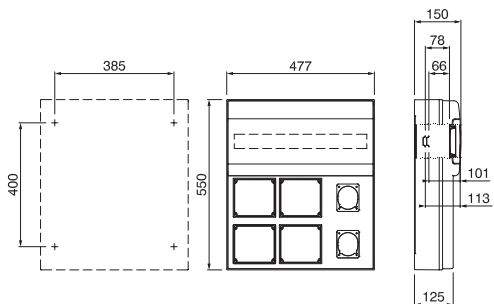
COD. 672.5122



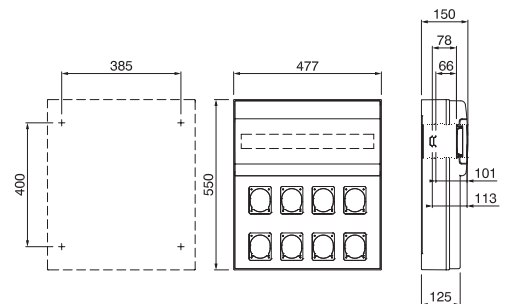
COD. 672.5522



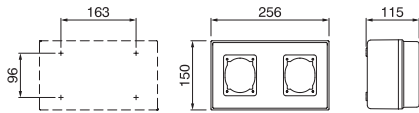
COD. 672.5622



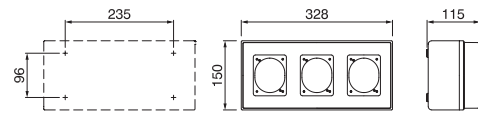
COD. 672.5822



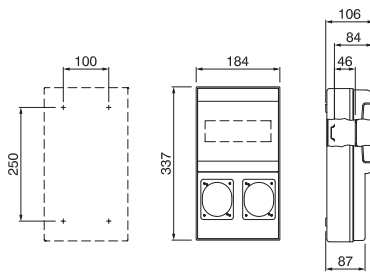
**COD. 672.1301**



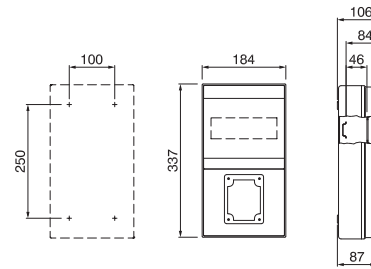
**COD. 672.1300**



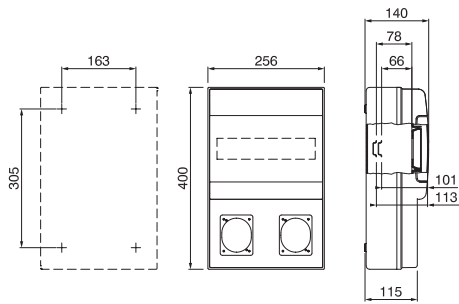
**COD. 672.2300**



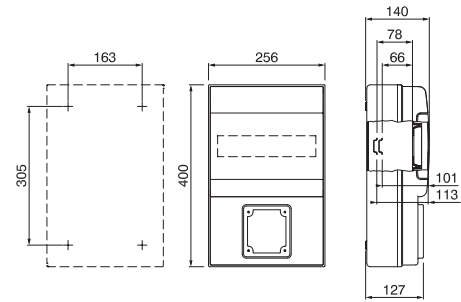
**COD. 672.2301**



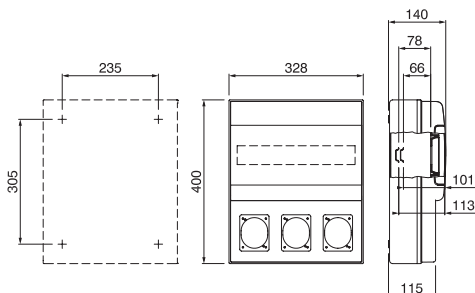
**COD. 672.3300**



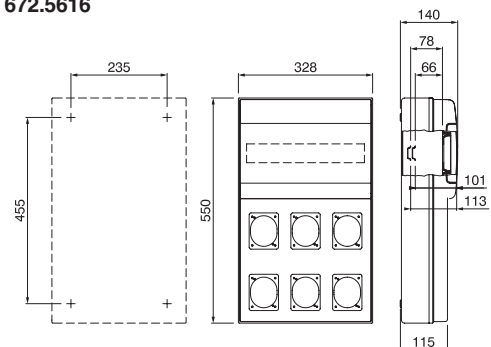
**COD. 672.3302**



**COD. 672.4316**



**COD. 672.5616**





# DOMINO Series

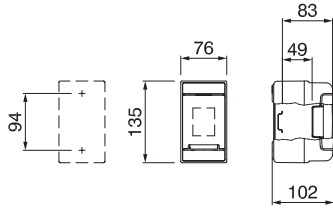
## DIMENSIONS

1

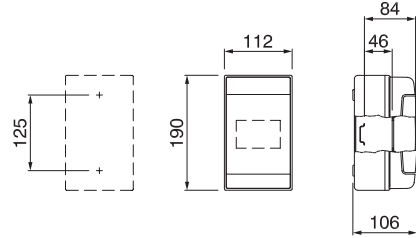
2

ENCLOSURES

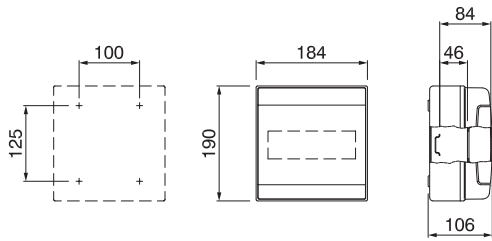
COD. 672.2002



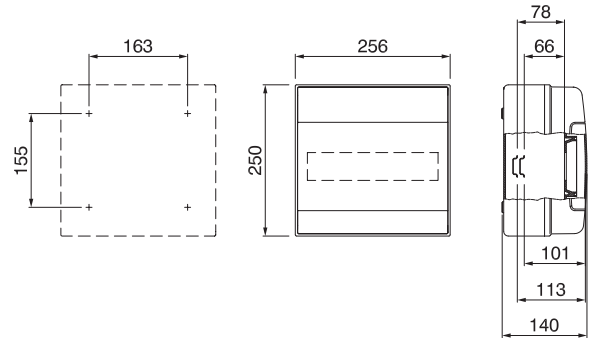
COD. 672.2004



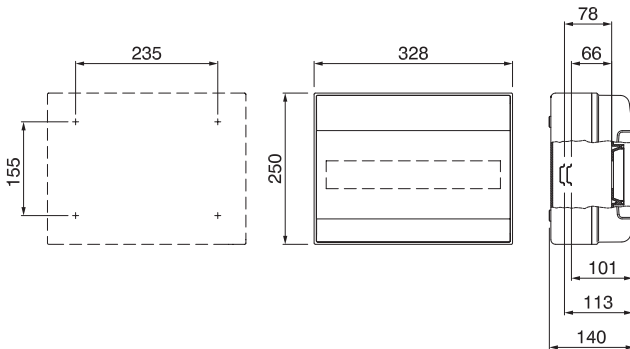
COD. 672.2008



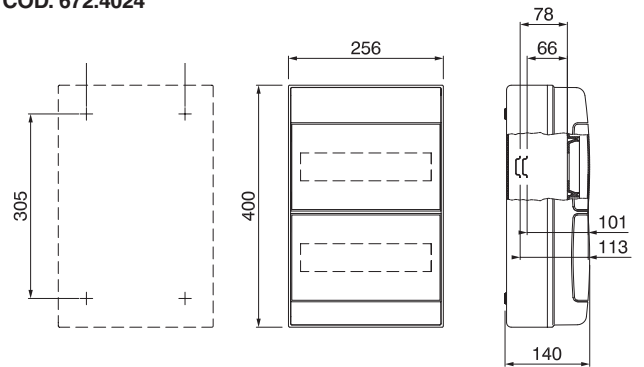
COD. 672.2012



COD. 672.2016



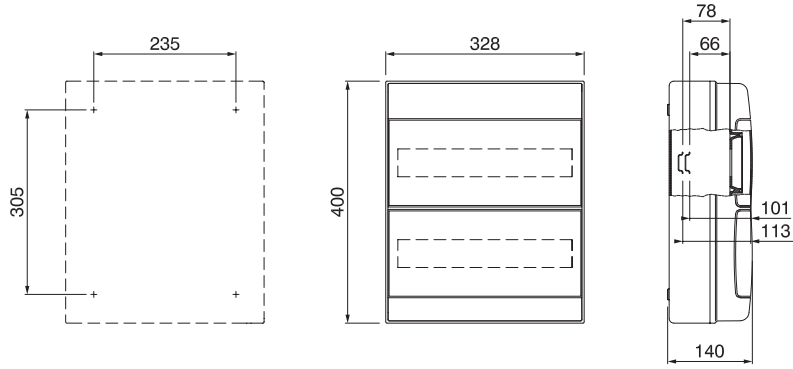
COD. 672.4024



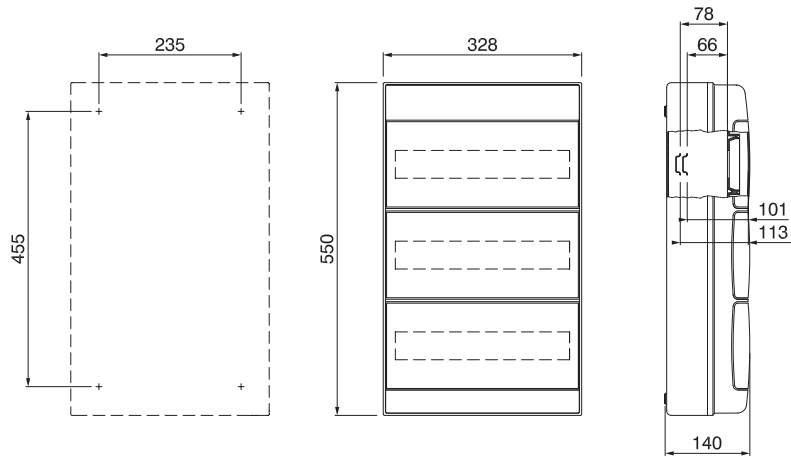
3



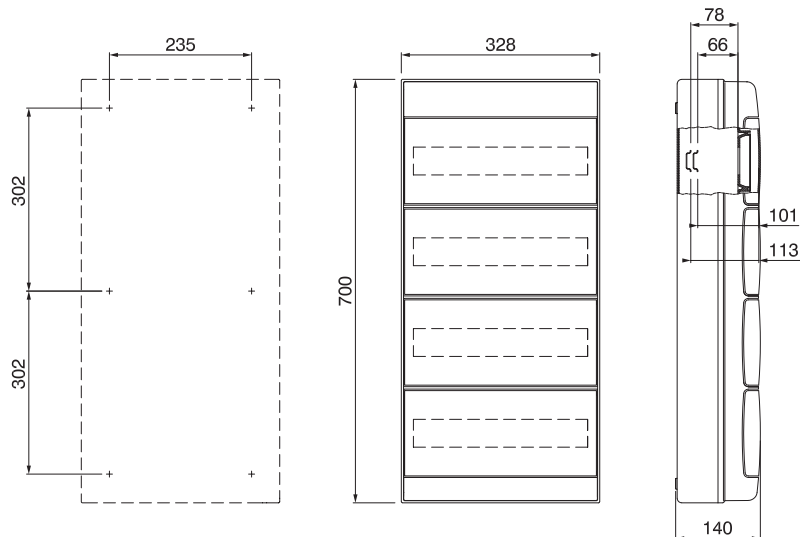
COD. 672.4032



COD. 672.5048



COD. 672.7064



(Dimensions in mm)



# DOMINO Series - IP66 surface mounting enclosure

## ENCLOSURE

1

2

ENCLOSURES

Module	DIN modules (17,5mm)	Dimensions hxbxp (mm)	Dissipated power (*)		
M150		150x256x115	18W	1/6	672.1101
		150x328x115	20W	1/6	672.1100



BLANK FRONT PANEL

Module	DIN modules (17,5mm)	Dimensions hxbxp (mm)	Dissipated power (*)		
M340	8	340x184x140	14W	1/10	672.2100



BLANK FRONT PANEL

Module	DIN modules (17,5mm)	Dimensions hxbxp (mm)	Dissipated power (*)		
M400	12	400x256x140	22W	1/6	672.3100
	16	400x328x140	28W	1/4	672.4116



BLANK FRONT PANEL

Module	DIN modules (17,5mm)	Dimensions hxbxp (mm)	Dissipated power (*)		
M550	16	550x328x140	28W	1/3	672.5116
	24	550x477x140	28W	1/2	672.5122



BLANK FRONT PANEL

(\*) According to CEI 23-49 italian standard.



**Flush mounting plugs and sockets**  
From page 22

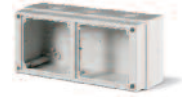


**Soquets for domestic applications**  
From page 25



**Socket** PANEL FLANGE 70x87

- 2 (●) **672.1301**
- 3 (●) **672.1300**



**Socket** PANEL FLANGE 136x125 (#)

- 2 **672.1200**



**Socket** PANEL FLANGE 70x87

- 1 (◆) **672.2301**
- 2 (■) **672.2300**



**Socket** PANEL FLANGE 136x125

- 1 **672.2200**



**Socket** PANEL FLANGE 70x87

- 1 (▲) **672.3302**
- 2 (●) **672.3300**
- 3 (●) **672.4316**



**Socket** PANEL FLANGE 136x125 (\*)

- 1 **672.3200**
- 2 **672.4216**



**Socket** PANEL FLANGE 70x87

- 6 (●) **672.5616**
- 8 (●) **672.5822**



**Socket** PANEL FLANGE 136x125 (\*)

- 3 **672.5316** (Δ)
- 4 **672.5416**
- 5 **672.5522**
- 6 **672.5622**

(●) 16A (70x87mm) or, with suitable adaption, 32A socket (84x106mm).  
 (▲) 63A (100x110mm).  
 (■) 16A (70x87mm).  
 (◆) 32A (84x106mm).

(\*) Connection device to be fixed in the upper side.  
 (Δ) With cutouts to contain 2 OMNIA Series 16A or 32A and 1 OMNIA Series 63A.



**Switched socket outlets with interlock**  
 From page 31



**Interlocked socket for domestic use**  
 From page 27

# DOMINO System - IP66

## surface mounting consumer units

### CONSUMER UNITS

1

2

ENCLOSURES

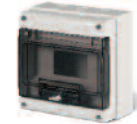
3



Module	DIN modules (17,5mm)	Dimensions hxbxp (mm)	Dissipated power (*)		STANDARD VERSION	SPECIAL CONFIGURATION
M135	2	135x76x102	6W	1/24	🌐 672.2002	-



Module	DIN modules (17,5mm)	Dimensions hxbxp (mm)	Dissipated power (*)		STANDARD VERSION	SPECIAL CONFIGURATION
M190	4	190x112x106	10W	1/16	🌐 672.2004	-



Module	DIN modules (17,5mm)	Dimensions hxbxp (mm)	Dissipated power (*)		STANDARD VERSION	SPECIAL CONFIGURATION
M190	8	190x184x106	14W	1/10	🌐 672.2008	672.2008.1101



Module	DIN modules (17,5mm)	Dimensions hxbxp (mm)	Dissipated power (*)		STANDARD VERSION	SPECIAL CONFIGURATION
M250	12	250x256x140	22W	1/9	🌐 672.2012	672.2012.1101



Module	DIN modules (17,5mm)	Dimensions hxbxp (mm)	Dissipated power (*)		STANDARD VERSION	SPECIAL CONFIGURATION
M250	16	250x328x140	28W	1/6	🌐 672.2016	672.2016.1101



Module	DIN modules (17,5mm)	Dimensions hxbxp (mm)	Dissipated power (*)		STANDARD VERSION	SPECIAL CONFIGURATION
M400	24 (12x2)	400x256x140	30W	1/6	🌐 672.4024	672.4024.1102

### ScameOnLine

Discover the **new application** directly on the web,  
[www.scame.com/Combiwizard.asp](http://www.scame.com/Combiwizard.asp)



You will quickly find an assemblies already assembled, certified and ready to use.



Module	DIN modules (17,5mm)	Dimensions hxbxp (mm)	Dissipated power (*)	🔌	STANDARD VERSION	SPECIAL CONFIGURATION
					M400	32 (16x2)



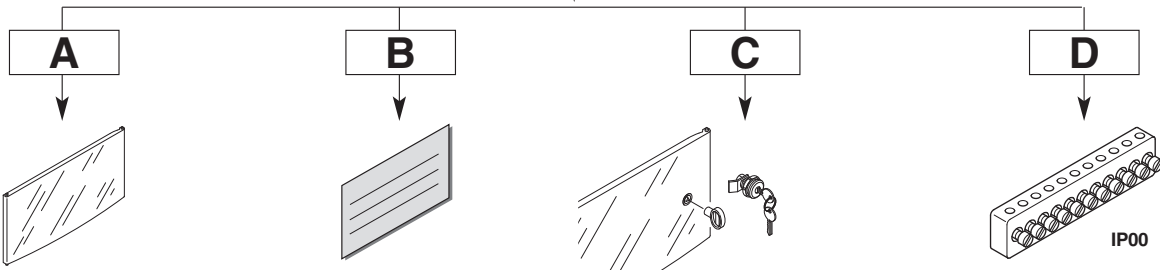
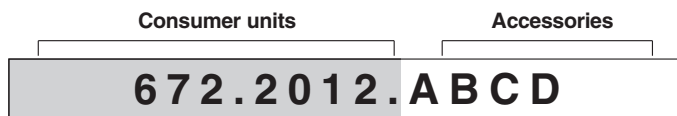
Module	DIN modules (17,5mm)	Dimensions hxbxp (mm)	Dissipated power (*)	🔌	STANDARD VERSION	SPECIAL CONFIGURATION
					M550	48 (16x3)



Module	DIN modules (17,5mm)	Dimensions hxbxp (mm)	Dissipated power (*)	🔌	STANDARD VERSION	SPECIAL CONFIGURATION
					M700	64 (16x4)

(\*) According to CEI 23-49 italian standard.

**SPECIAL CONFIGURATION**



WINDOW COLOUR	SELF-ADHESIVE LABEL FOR IDENTIFICATION DATA	LOCK KIT	CONNECTION DEVICES
<b>0:</b> without window (IP40 only)	<b>0:</b> without label	<b>0:</b> with triangular key	<b>0:</b> without connection device
<b>1:</b> tinted window (standard)	<b>1:</b> with label	<b>1:</b> no (IP40 only)	<b>1:</b> 1 (5x10 mm <sup>2</sup> - 5x16 mm <sup>2</sup> )
<b>2:</b> white window (IP40 only)		<b>2:</b> yale key Locking kit	<b>2:</b> 2 (5x10 mm <sup>2</sup> - 5x16 mm <sup>2</sup> )
			<b>3:</b> n°=DIN
			<b>4:</b> 4 (5x10 mm <sup>2</sup> - 5x16 mm <sup>2</sup> )

# BLOCK Series

1  
2  
ENCLOSURES

## DISTRIBUTION ASSEMBLIES



## VERSIONS



BLOCK1 (110x280x95mm)  
- Portable or surface mounting empty units.



BLOCK3 (136x440x114mm)  
- Surface mounting  
- Panel mounting  
- Mobile on appropriate stand  
- Portable with cable and plug



BLOCK4 (212x415x114mm)  
- Surface mounting  
- Panel mounting  
- Mobile on appropriate stand  
- Portable with cable and plug



BLOCK5 (272x414x110mm)  
- Portable or surface mounting empty units.

## REFERENCE STANDARDS

### EN 60670-1

Boxes and enclosures for electrical accessories for household and similar fixed electrical installations.  
*Part 1: general requirements.*

### CEI 23-49

Enclosure for accessories for household and similar fixed electrical installations.  
*Part 2: particular requirements for enclosures for protection devices and accessories dissipating a considerable power in normal use.*

### EN 60439-1

Low voltage switchgear and control gear assemblies.  
*Part 1: type-tested and partially type-tested assemblies.*

### EN 60439-4

Low voltage switchgear and control gear assemblies.  
*Part 4: Particular requirements for assemblies for construction sites (ACS).*

## QUALITY MARKS



## TECHNICAL CHARACTERISTICS

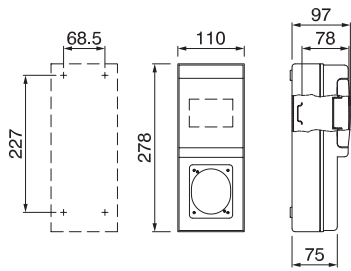
Rated current:	<b>IP66</b>
Operating temperature according to the reference standard:	<b>-25°C +35°C</b>
Max. operating temperature:	<b>60°C</b>
Glow Wire test:	<b>650°C</b>
Material:	<b>Engineering plastic</b>
IK degree at 20°C:	<b>IK08</b>
Cable inlet:	<b>PG13,5 - PG21</b>
Total insulation <input type="checkbox"/>	<b>Yes</b>
Dissipable power according to CEI 23-49 standard:	<b>8-15W</b>
Colour:	<b>Grey RAL 7035</b>

## BEHAVIOUR WITH CHEMICAL AND ATMOSPHERIC AGENTS

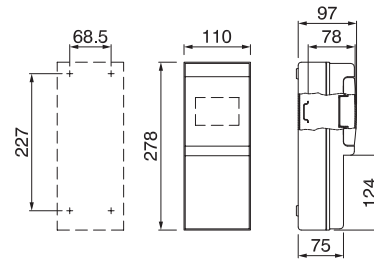
Saline solution	Acids		Bases		Solvents				Mineral oil	UV rays
	Concentrated	Diluted	Concentrated	Diluted	Hexane	Benzol	Acetone	Alcohol		
Resistant	Limited Resistance	Resistant	Limited Resistance	Resistant	Not Resistant	Not Resistant	Not Resistant	Limited Resistance	Resistant	Resistant

**DIMENSIONS**

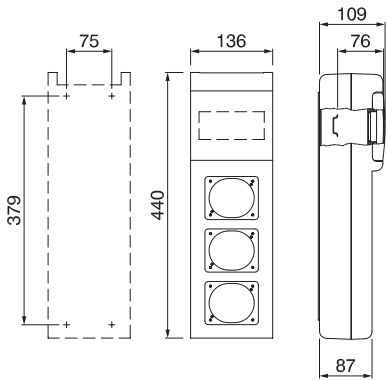
**COD. 632.1500**



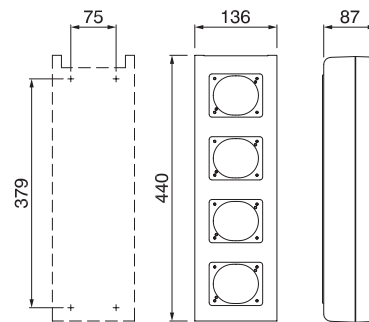
**COD. 632.1510**



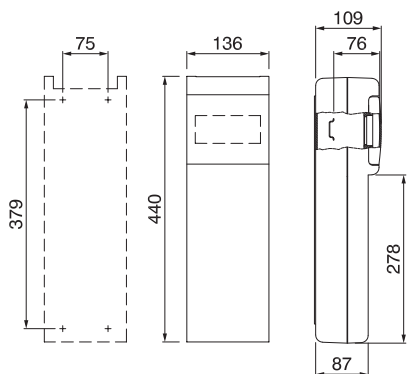
**COD. 632.3500**



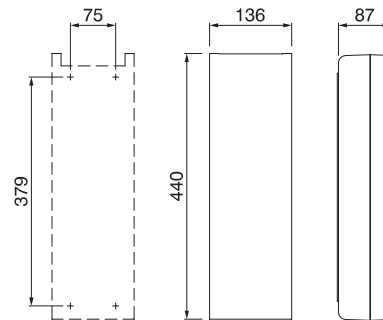
**COD. 632.3501**



**COD. 632.3510**



**COD. 632.3511**





# BLOCK Series

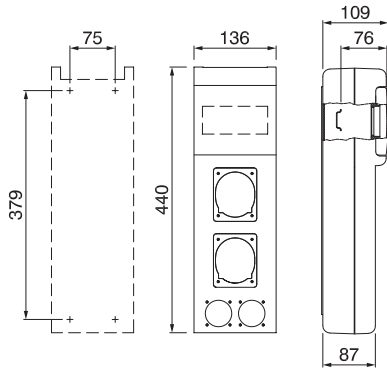
## DIMENSIONS

1

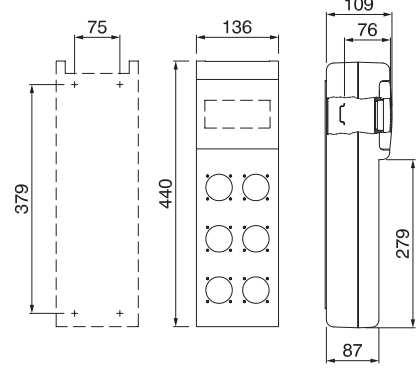
2

ENCLOSURES

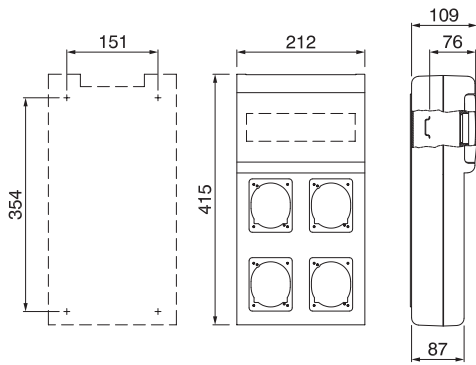
COD. 632.3520



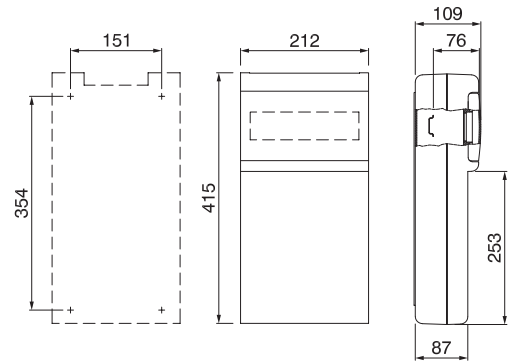
COD. 632.3530



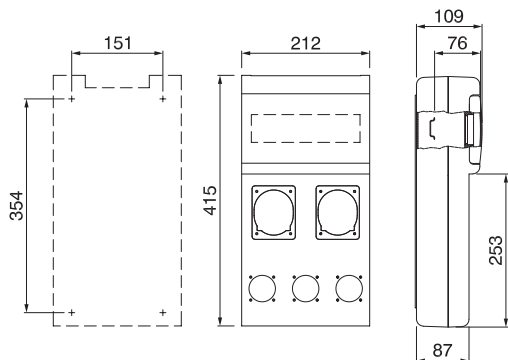
COD. 632.4500 - 632.4700



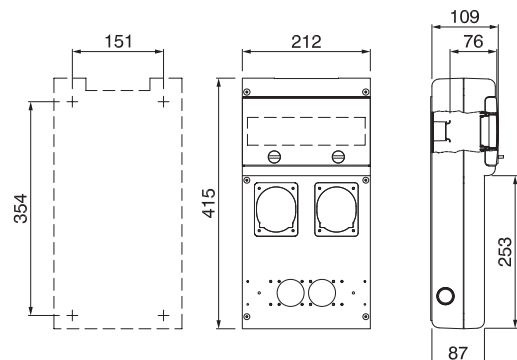
COD. 632.4510 - 632.4710



COD. 632.4520



COD. 632.4530

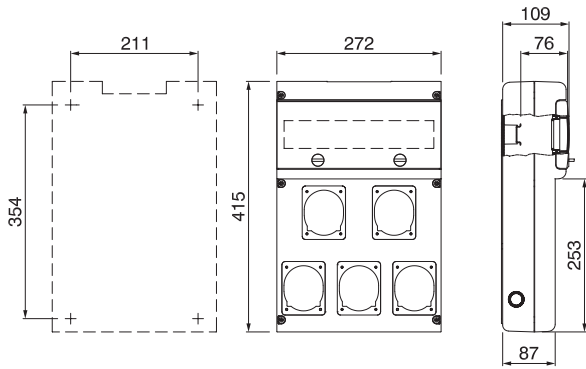


(Dimension in mm)

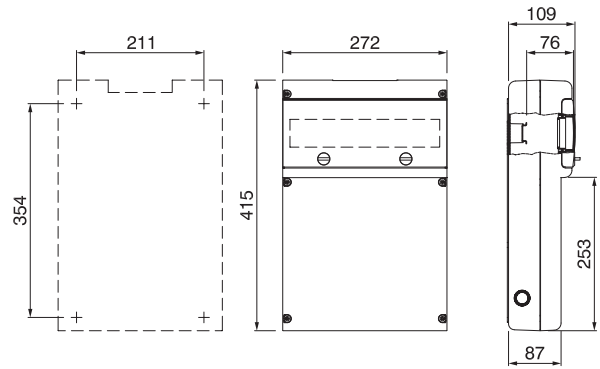


3

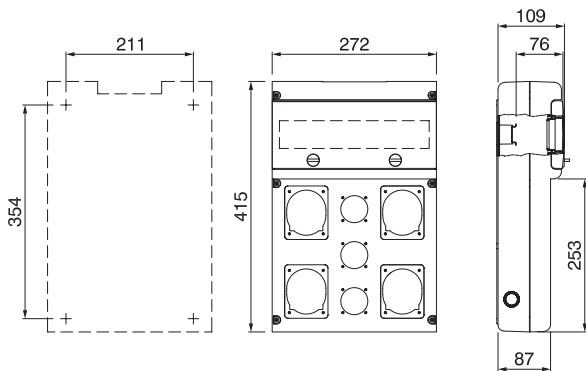
**COD. 632.5500**



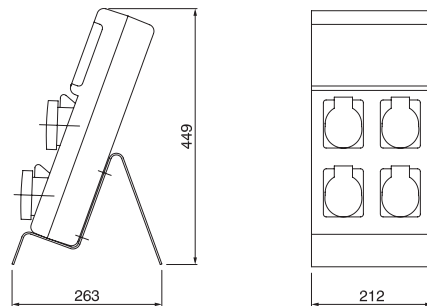
**COD. 632.5510**



**COD. 632.5520**



**BLOCK ASSEMBLIES STAND**



# BLOCK Series - IP66 surface mounting enclosure

## ENCLOSURE

1

2

ENCLOSURES

3



Description	DIN modules	Dimensions (mm)	Dissipated power (*)	☐	BLANK PANEL	Socket outlets	PANEL FLANGE 70x87
BLOCK1	4	110x280x95	8W	1	☎ 632.1510-000	1	☎ 632.1500-000
BLOCK3	6	136x440x105	9W	1	☎ 632.3510-000	3	☎ 632.3500-000
		136x440x105	9W	1		4(2+2)	632.3520-000
		136x440x105	9W	1		6	632.3530-000
BLOCK3	blank	136x440x105	9W	1	☎ 632.3511-000	4	632.3501-000
BLOCK4	11	212x415x105	14W	1	☎ 632.4510-000	4	☎ 632.4500-000
		212x415x105	14W	1 (◆)	☎ 632.4710-000	4 (◆)	☎ 632.4700-000
		212x415x105	14W	1		5(2+3)	☎ 632.4520-000
		212x415x105	14W	1		6(2+4)	☎ 632.4530-000
BLOCK5	14	272x414x110	15W	1	632.5510-000	5	632.5500-000
		272x414x110	15W	1		7	632.5520-000

(\*) According to CEI 23-49 Italian standard.

(◆) With YALE look.

(◐) 70x87 mm cut-outs.

(▲) 50x60 mm cut-outs.

(■) Cut-outs suitable for 32A socket outlets with 84x106 mm flange.

(x) Does not accept COMMAND 63A Series Switches and higher.

**ACCESSORIES**



Description	Flange	mm	Code
Plate for panel cut-outs	70x87	25	654.0100
	50x60	25	654.0105

(\*) For components TOP22 Series.



BLOCK3 Series



BLOCK4: built-in foldaway handle.



BLOCK4: Metal stand.



**Flush mounting plugs and sockets**  
From page 22



**Sochets for domestic applications**  
From page 25



# ENERBOX Series

## ■ DISTRIBUTION ASSEMBLIES

## ■ REFERENCE STANDARDS

1

2

ENCLOSURES



### EN 60670-1

Boxes and enclosures for electrical accessories for household and similar fixed electrical installations.  
Part 1: general requirements.



## ■ VERSIONS

## ■ TECHNICAL CHARACTERISTICS

3



6 DIN



11 DIN



Left and right side knockouts for DOMO Series (flange 50x60mm).

Rated current:	<b>IP55</b>
Operating temperature according to the reference standard:	<b>-25°C +35°C</b>
Max. operating temperature:	<b>60°C</b>
Glow Wire test:	<b>650°C</b>
Material:	<b>Engineering plastic</b>
IK degree at 20°C:	<b>IK08</b>
Cable inlet:	<b>PG16-PG21-PG29</b>
Total insulation <input type="checkbox"/> :	<b>Yes</b>
Dissipable power according to CEI 23-49 standard:	<b>9-15W</b>
Colour:	<b>Grey RAL7035</b>

## ■ BEHAVIOUR WITH CHEMICAL AND ATMOSPHERIC AGENTS

Saline solution	Acids		Bases		Solvents				Mineral oil	UV rays
	Concentrated	Diluted	Concentrated	Diluted	Hexane	Benzol	Acetone	Alcohol		
Resistant	Limited Resistance	Resistant	Limited Resistance	Resistant	Resistant	Not Resistant	Not Resistant	Resistant	Not Resistant	Limited Resistance

For specific substances please contact our technical service.

6 DIN DISTRIBUTION ASSEMBLIES - IP55



DIN modules	Dimensions (mm)	Dissipated power	□	Front Knockouts	
6 DIN	285x145x107	9W	1	Blank plate	633.1010
	285x145x107	9W	1	2x20/32A	633.1013
	285x145x107	9W	1	1x63A	633.1014


□ Package/Bulk Pack.


11 DIN DISTRIBUTION ASSEMBLIES - IP55



DIN modules	Dimensions (mm)	Dissipated power	□	Front Knockouts	
11 DIN	285x235x107	15W	1	Blank plate	633.2020
	285x235x107	15W	1	2x20/32A	633.2024
	285x235x107	15W	1	2x63A	633.2025
	285x235x107	15W	1	1x20/32A+1x63A	633.2026

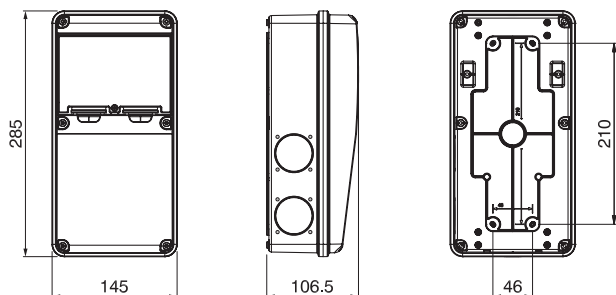
□ Package/Bulk Pack.

Front Knockouts  20A (70x87 mm)  
 32A (84x106 mm)  
 63A (100x110 mm)

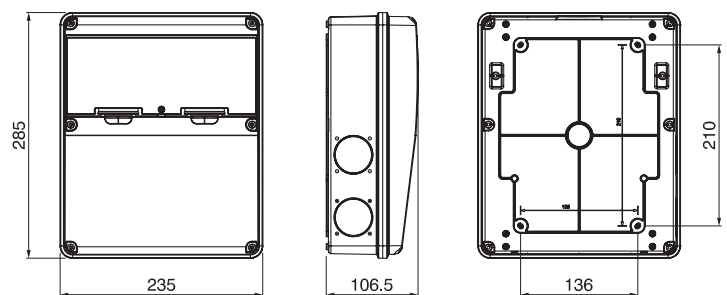
Side Knockouts  (50x60 mm)

DIMENSIONS

6 MODULES BLANK PANEL



11 MODULES BLANK PANEL



# EASYBOX Series

1

2

ENCLOSURES

## WEATHER-PROOF ENCLOSURES



## VERSIONS

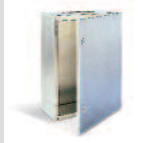
3



LT enclosure  
Special high resistance thermoplastic compound.



MV enclosure  
Metal 15/10 painted with an epoxy resin suitable for inside use.



Al enclosure  
Stainless steel.

## REFERENCE STANDARDS

### EN 60670-1

Boxes and enclosures for electrical accessories for household and similar fixed electrical installations.  
*Part 1: general requirements.*

### CEI 23-49

Enclosure for accessories for household and similar fixed electrical installations.  
*Part 2: particular requirements for enclosures for protection devices and accessories dissipating a considerable power in normal use.*

### EN 62208

Empty enclosure for low-voltage switchgear and controlgear assemblies.  
*Part 1: general requirements.*

## QUALITY MARKS



## TECHNICAL CHARACTERISTICS

Protection degree:	<b>IP65</b>
Operating temperature according to the reference standard:	<b>-25°C +35°C</b>
Max. operating temperature:	<b>60°C</b>
Glow Wire test:	<b>650°C</b>
Material:	<b>Engineering plastic/Metal</b>
IK degree at 20°C:	<b>IK08 (door with window) IK10 (plain door)</b>
Cable inlets:	<b>Blank sides (Engineering plastic) Plate (Metal)</b>
Total insulation <input type="checkbox"/> :	<b>Yes</b>
Colour:	<b>Grey RAL 7035</b>

**BEHAVIOUR WITH CHEMICAL AND ATMOSPHERIC AGENTS**

Saline solution	Acids		Bases		Solvents				Mineral oil	UV rays
	Concentrated	Diluted	Concentrated	Diluted	Hexane	Benzol	Acetone	Alcohol		
Resiste	Resistenza limitata	Resiste	Resistenza limitata	Resiste	Resiste	Non resiste	Non resiste	Resiste	Non resiste	Resiste

**TYPES**

	Dimensions (mm)	rows of	max
Type 1	320x370x210	12 DIN	24 DIN
Type 2	460x370x245	20 DIN	40 DIN
Type 3	460x520x245	20 DIN	60 DIN
Type 4	460x670x245	20 DIN	80 DIN
Type 5	775x715x345	35 DIN	140 DIN

There are 5 cabinets available in the EASYBOX Series, each with three different variations (LT, MV and AI):

**DISSIPABLE POWER**

Cabinet	DIN Modules	Set-up with chassis and DIN rail (W)				Set-up with base plate in L3 position (W)	
		LT	MV	AI	LT	MV	AI
Type 1	24 DIN	35	45	30	40	65	40
Type 2	40 DIN	50	60	42	84	105	62
Type 3	60 DIN	58	73	47	100	125	78
Type 4	80 DIN	85	98	63	125	150	94
Type 5	140 DIN	138	155	-	235	280	-

Dissipable power according to Italian standard CEI 23-49

**APPLICATION EXAMPLES**





# EASYBOX Series

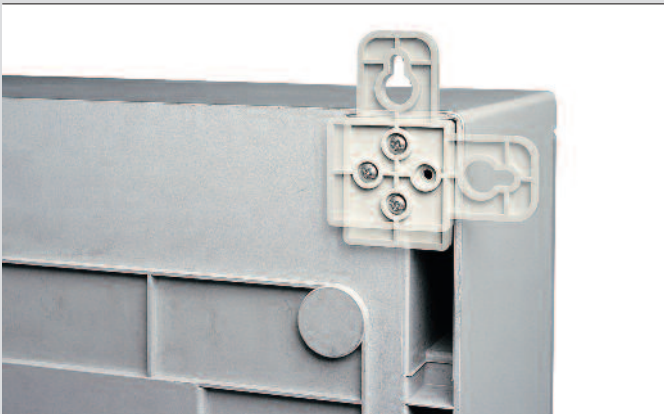
1  
2  
ENCLOSURES



Metal enclosures: stainless steel (AI) and metal 15/10 varnished with epoxy resin (MV) take the same accessories as the (LT) cabinets.



3



LT cabinet fixing brackets, positioned either horizontally or vertically for MV and AI enclosures.

## MODULARITY

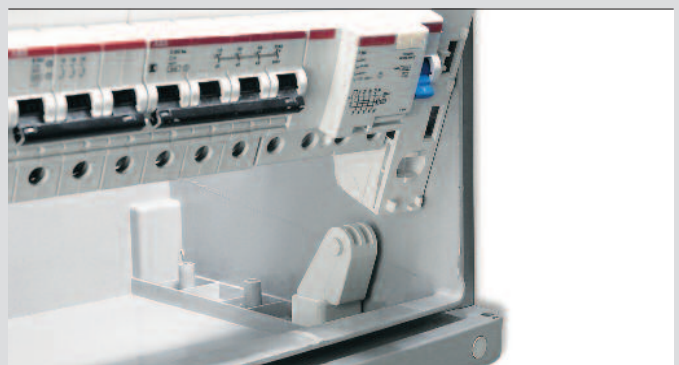
The Easy-Box series offers a range of components that are modular and inter-changeable among the different enclosures. Enclosures with the same height or width can be placed above or beside each other, while enclosures of the same width have various components in common - DIN rails, modular plates, panels and accessories.



LT cabinet type 3: set up with 2 DIN rows and half modulex (blank panel 1/2 module).

Setting up with vertical mccb.





# EASYBOX Series

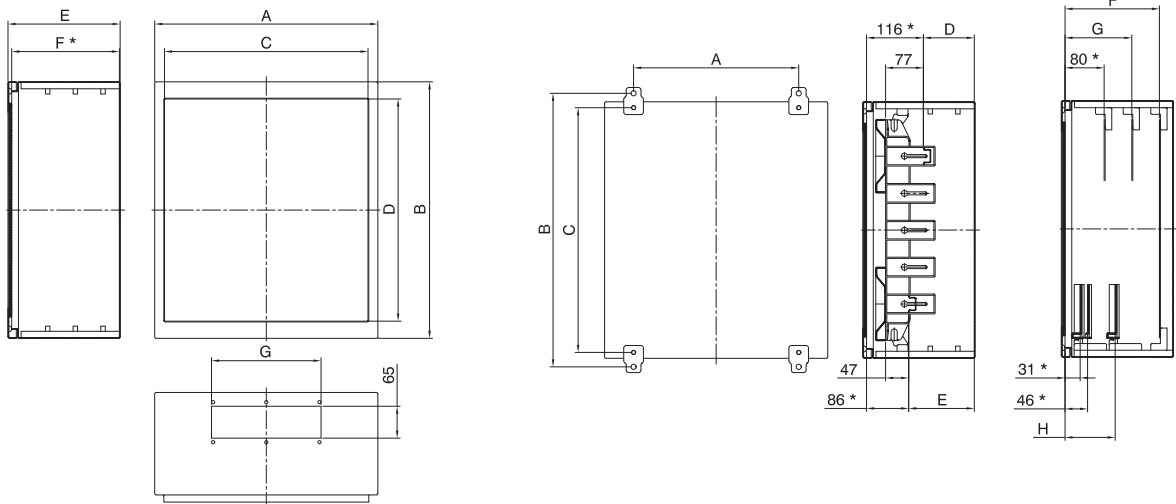
## DIMENSIONS

1

2

ENCLOSURES

### MV - AI CABINETS



\*Dimensions refer to cabinets with marine window; for cabinets with blank panel increase by 6 mm

3

#### EXTERNAL AND INTERNAL SIZE

	Type 1	Type 2	Type 3	Type 4	Type 5
A	314	454	454	454	740
B	370	370	520	670	670
C	274	414	414	414	-
D	302	302	452	602	-
E	200	230	230	230	-
F (*)	190	220	220	220	-
G	123	223	223	223	-

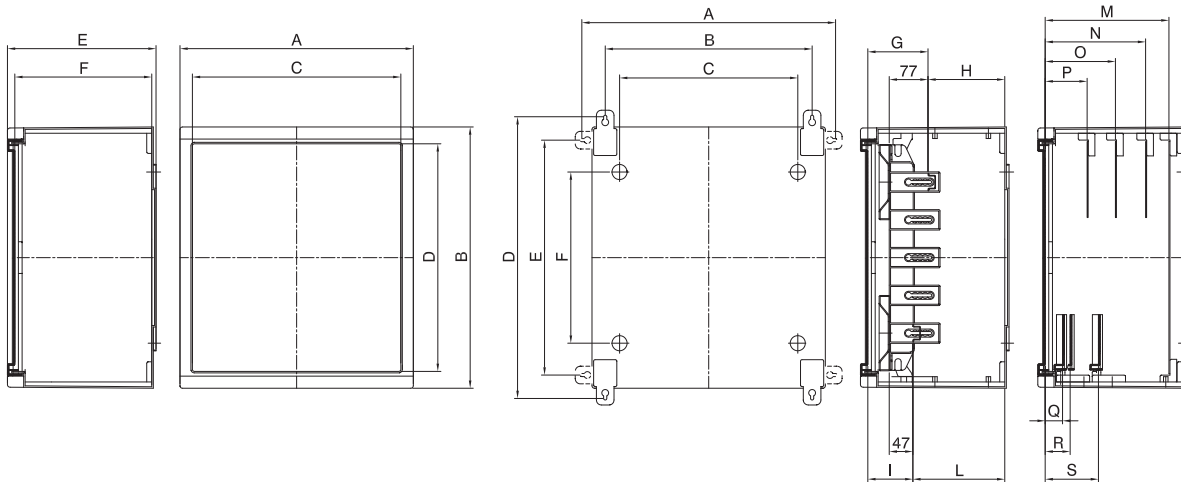
#### FASTENINGS, DIN RAILS, PLATES AND INNER DOORS

	Type 1	Type 2	Type 3	Type 4	Type 5
A	196	336	336	336	-
B	408	408	558	708	-
C	348	348	498	648	-
D	74	104	104	104	-
E	104	134	134	134	-
F (*)	177	192	192	192	-
G (*)	121	136	136	136	-
H (*)	-	102	102	102	-

(Dimension in mm)



LT CABINETS



EXTERNAL AND INTERNAL SIZE

	Type 1	Type 2	Type 3	Type 4	Type 5
A	324	464	464	464	755
B	370	370	520	670	714
C	274	414	414	414	685
D	302	302	452	602	600
E	210	245	245	245	345
F	192	222	222	222	310

FASTENINGS, DIN RAILS, PLATES AND INNER DOORS

	Type 1	Type 2	Type 3	Type 4	Type 5
A	364	504	504	504	755
B	271	411	411	411	683
C	214	354	354	354	610
D	410	410	560	710	743
E	316	316	466	616	652
F	190	190	190	490	470
G	120	120	120	120	128
H	72	103	103	103	182
I	90	90	90	90	98
L	102	133	133	133	212
M	166	196	196	196	280
N	125	140	140	140	220
O	-	-	-	-	161
P	83	83	83	83	102
Q	34	34	34	34	47
R	49	49	49	49	62
S	-	105	105	105	105

(Dimension in mm)



# Watertight cabinets - IP65

## WATERTIGHT CABINETS - IP65

1

2

ENCLOSURES

3

**key:**

LT = Thermoplastic alloy

MV = Varnished metal

AI = Stainless steel


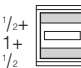

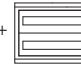
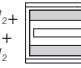


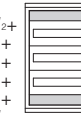



CABINET - BASE



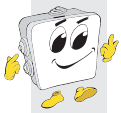
CABINET - DOOR



Horizontal modularity	Dimensions bxhxp (mm)	Possible formats		Cabinet - Door			
		Variant A	Variant B	Plain grey	With window tinted (LT) with marine window (MV)		
<b>M320</b> 12 DIN for row	<b>Type 1</b> 320x370x210 2 rows	 1+ 1 24 DIN	 1/2+ 1+ 1/2 12 DIN	LT	⊕ 655.001 0	⊕ 655.001 1	⊕ 655.001 2
				MV	655.011 0	655.011 1	655.011 2
				AI	655.021 01 (•)	-	-
					1	1	1
<b>M460</b> 20 DIN for row	<b>Type 2</b> 460x370x245 2 rows	 1+ 1 40 DIN	 1/2+ 1+ 1/2 20 DIN	LT	⊕ 655.002 0	⊕ 655.002 1	⊕ 655.002 2
				MV	655.012 0	655.012 1	655.012 2
				AI	655.022 01 (•)	-	-
					1	1	1
<b>M750</b> 35 DIN for row	<b>Type 5</b> 755x715x345 4 rows	 1+ 1+ 1+ 1+ 140 DIN	 1/2+ 1+ 1+ 1+ 1+ 1/2 105 DIN	LT	655.005 0	655.005 1	655.005 2
				MV	655.015 0	655.015 1	655.015 2
				AI	655.025 01 (•)	-	-
					1	1	1

b x h x d = base x height x depth

(•) Base supplied with blank door already mounted



**EASYBOX Series**

MOUNTING PLATE		INTERNAL DOOR		CABINET - UPRIGHT	
In thermoplastic material axbxc (mm)	Stainless steel smooth zinc-coated axb (mm)	Blank Grey	Mounting plate axbxc (mm)	Internal door	Couple
<b>655.001 4</b> 267x294x4,5 1/4	Ⓢ <b>655.001 5</b> 267x294 1/4	Ⓢ <b>655.001 6</b> 1/8	-	-	Ⓢ <b>655.001 9</b>
<b>655.002 4</b> 407x294x4,5 1/4	Ⓢ <b>655.002 5</b> 407x294 1/4	Ⓢ <b>655.002 6</b> 1/9	-	-	1/8
<b>655.003 4</b> 407x444x4,5 1/2	Ⓢ <b>655.003 5</b> 407x444 1/2	Ⓢ <b>655.003 6</b> 1/9	-	-	Ⓢ <b>655.003 9</b> 1/10
<b>655.004 4</b> 407x594x4,5 1/2	Ⓢ <b>655.004 5</b> 407x594 1/2	Ⓢ <b>655.004 6</b> 1/9	-	-	Ⓢ <b>655.005 9</b>
<b>655.005 4</b> 679x633x4,5 1	<b>655.005 5</b> 679x633 1	<b>655.005 6</b> 1	<b>655.005 50</b> 267x633x2 1	<b>655.005 60</b> 1	1



# Watertight cabinets - IP65

## WATERTIGHT CABINETS - IP65

1

2

ENCLOSURES

3



Horizontal modularity	Dimensions b x h x p (mm)	Possible formats		1 MODULE	1 MODULE	2 MODULES
		Variant A	Variant B	CABINET - DIN RAIL	CABINET - MODULAR PLATES	
				With brackets	In metal, with brackets	
<b>M320</b> 12 DIN for row	<b>Type 1</b> 320x370x210 2 rows	1+ 1		☎ 655.320 10	☎ 655.320 11	☎ 655.320 12
		$\frac{1}{2}+$ $1+$ $\frac{1}{2}$				
				1/10	1/8	1/4
	<b>Type 2</b> 460x370x245 2 rows	1+ 1				
		$\frac{1}{2}+$ $1+$ $\frac{1}{2}$				
<b>M460</b> 20 DIN for row	<b>Type 3</b> 460x520x245 3 rows	1+ 1+ 1		☎ 655.460 10	☎ 655.460 11	☎ 655.460 12
		$\frac{1}{2}+$ $1+$ $1+$ $\frac{1}{2}$				
	<b>Type 4</b> 460x670x245 4 rows	1+ 1+ 1+ 1		☎ 655.750 10	☎ 655.750 11	☎ 655.750 12
		$\frac{1}{2}+$ $1+$ $1+$ $1+$ $\frac{1}{2}$				
				1/12	1/8	1/4
<b>M750</b> 35 DIN for row	<b>Type 5</b> 755x715x345 4 rows	1+ 1+ 1+ 1		☎ 655.750 10	☎ 655.750 11	☎ 655.750 12
		$\frac{1}{2}+$ $1+$ $1+$ $1+$ $\frac{1}{2}$				
				1	1	1

b x h x d = base x height x depth

## EASYBOX Series

1 MODULE	1 MODULE	1/2 MODULE	1/4 MODULE	1 MODULE	2 MODULES
STANDARD PANEL WITH DIN VENT-HOLE	STANDARD PANEL	STANDARD PLAIN PANEL	STANDARD PANEL	PANEL FOR MOULDED-CASE CIRCUIT BREAKER	INTERNAL DOOR PANEL
With DIN rail	h= 150 mm	half module (2 pieces) h= 75 mm	Quarter module (2 pieces) h= 37,5 mm	Includes metal plate with DIN rail	Lock supplied
Ⓢ 655.320 20	Ⓢ 655.320 21	655.320 22	-	655.320 24	-
1/5	1/8	1/10		1/5	
Ⓢ 655.460 20	Ⓢ 655.460 21	655.460 22	-	Ⓢ 655.460 24	Ⓢ 655.460 25
1/4	1/10	1/10		1/4	1/9
655.750 20	655.750 21	655.750 22 (1 piece)	655.750 23	655.750 24	-
1	1	1	1	1	





# Watertight cabinets - IP65 accessories

## POLE FIXING BRACKET

EASYBOX Series



Description	For enclosures	☐	
Fixing into pole max Ø 300mm couple in metal	Type 1	1/3	655.32090
	Type 2, 3 and 4	1/3	655.46090
	Type 5	1	655.75090

## KIT ACCESSORIES

EASYBOX Series



Description	Colour	☐		
Triangular key kit		1/10	655.900	
Yale key kit		1/10		655.910
	transparent	1/10		655.911
Accessory kit for padlocking (LT)		1/10		655.920 (*)

(\*) Not suitable for metal doors. Padlock not supplied.



Description	☐	
Additional brackets kit	1/10	655.930
Ventilation kit IP54 - 230V~	1	655.950

1

2

ENCLOSURES

3

## DOCUMENT HOLDER

EASYBOX Series



Description			
Document holder	1/10		655.960

## SURFACE MOUNTING BRACKETS

EASYBOX Series



Description			
Metal surface mounting brackets (MV and AI) - 4 pieces	1/10		655.970

MV = Varnished metal AI= Stainless steel

## ACCESSORIES

ACCESSORIES



Description			
DIN rail support	For 1 EVOLUTION Series module	1	654.0091
support	For 2 EVOLUTION Series modules	1	654.0092

# SCABOX Series

1

2

ENCLOSURES

## JUNCTION BOXES FOR ELECTRICAL INSTALLATION



### VERSIONS



With cable sleeves - IP44  
- With press-fit cover



With cable sleeves - IP55  
- With screw-down cover



With blank sides - IP56  
- With screw-down cover



With blank sides - IP56  
- Higher box with screw-down cover

## REFERENCE STANDARDS

### EN 60670-1

Boxes and enclosures for electrical accessories for household and similar fixed electrical installations.

*Part 1: general requirements.*

### EN 60670-22

Boxes and enclosures for electrical accessories for household and similar fixed electrical installations.

*Part 22: particular requirements for connecting boxes and enclosures.*

## QUALITY MARKS



## TECHNICAL CHARACTERISTICS

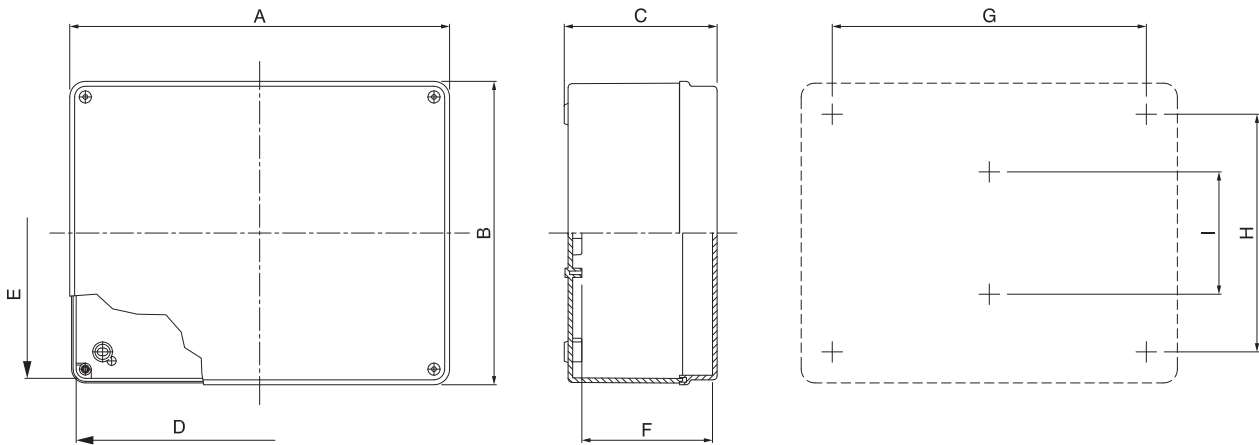
Protection degree:	<b>IP44-IP55-IP56</b>
Operating temperature according to the reference standard:	<b>-25°C +35°C</b>
Max operating temperature:	<b>60°C</b>
Glow wire test:	<b>650°C</b>
Material:	<b>Engineering plastic</b>
IK degree at 20°C:	<b>IK04 - IK08</b>
Total insulation <input type="checkbox"/>	<b>Yes</b>
Halogen free:	<b>Yes (blank sides versions)</b>
DIN rail fixing:	<b>Yes</b>
Colour:	<b>Grey RAL 7035</b>

## BEHAVIOUR WITH CHEMICAL AND ATMOSPHERIC AGENTS

Saline solution	Acids		Bases		Solvents				Mineral oil	UV rays
	Concentrated	Diluted	Concentrated	Diluted	Hexane	Benzol	Acetone	Alcohol		
<b>Resistant</b>	<b>Limited Resistance</b>	<b>Resistant</b>	<b>Limited Resistance</b>	<b>Resistant</b>	<b>Not Resistant</b>	<b>Not Resistant</b>	<b>Not Resistant</b>	<b>Limited Resistance</b>	<b>Limited Resistance</b>	<b>Resistant</b>



3

**DIMENSIONS**


	Internal dimensions			External dimensions			Wall mounted		
	D mm	E mm	F mm	A mm	B mm	C mm	G mm	H mm	I mm
<b>680.001</b>	Ø65	Ø65	35	Ø76	Ø73	41	/	/	32
<b>680.002</b>	Ø80	Ø80	40	Ø87	Ø87	46	/	/	46
<b>680.003</b>	80	80	40	87	87	46	/	/	46
<b>685.004</b>	100	100	50	108	108	58	64	64	/
<b>685.005</b>	120	80	50	128	88	58	84	44	/
<b>685.006</b>	150	110	70	158	118	76	114	74	/
<b>685.007</b>	190	140	70	198	148	80	155	105	/
<b>685.008</b>	240	190	90	248	198	100	205	155	/
<b>685.009</b>	300	220	120	308	228	129	265	185	/
<b>685.010</b>	380	300	120	388	308	129	345	265	124
<b>685.011</b>	450	370	130	460	380	130	300	290	160
<b>686.204</b>	100	100	50	108	108	58	64	64	/
<b>686.205</b>	120	80	50	128	88	58	84	44	/
<b>686.206</b>	150	110	70	158	118	76	114	74	/
<b>686.207</b>	190	140	70	198	148	80	155	105	/
<b>686.208</b>	240	190	90	248	198	100	205	155	/
<b>686.209</b>	300	220	120	308	228	129	265	185	/
<b>686.210</b>	380	300	120	388	304	129	345	265	124
<b>686.211</b>	450	370	130	460	380	130	300	290	160
<b>686.404</b>	100	100	80	108	108	88	64	64	/
<b>686.408</b>	240	190	125	248	198	135	205	155	/
<b>686.409</b>	300	220	170	308	228	179	265	185	/
<b>686.410</b>	380	300	170	388	308	179	345	265	124
<b>686.411</b>	450	370	180	460	380	180	300	290	160

(Dimensions in mm)

# SCABOX Series

## Surface mounting junction boxes

### BOX WITH CABLE SLEEVES

1

2

ENCLOSURES



3



Cover	Dimensions (mm)	No. of inlets	For	Fixing screws	☐	IP44	IP55
Release cover	ø65x35	4xø23mm	PG 16	2	4/100	☑ 680.001	
	ø80x40	4xø23mm	PG 16	2	4/100	☑ 680.002	
	80x80x40	6xø23mm	PG 16	2	4/60	☑ 680.003	
Screw cover	100x100x50	6xø23mm	PG 21	4	1/48		☑ 685.004
	120x80x50	6xø29mm	PG 21	4	1/54		☑ 685.005
	150x110x70	10xø29mm	PG 21	4	1/40		☑ 685.006 (K1)
	190x140x70	10xø38mm	PG 29	4	1/24		☑ 685.007 (K1)
	240x190x90	12xø38mm	PG 29 (◆)	4	1/12		☑ 685.008 (K1)
	300x220x120	12xø38mm	PG 29 (◆)	4	1/6		☑ 685.009 (K1)
	380x300x120	12xø48mm	PG 36 (◆)	4	1/4		☑ 685.010 (K1)
	450x370x130	14xø48mm	PG 36 (◆)	6	1		☑ 685.011 (K2)

(◆) Suitable for the hinges mounting.

(K1) It is possible to use the wall mounting brackets kit item 654.0021.  
(K2) It is possible to use the wall mounting brackets kit item 654.0023.

### ACCESSORIES

Description	☐		
Wall mounting brackets	K1	4 pieces	10
	K2	4 pieces	10
Cover sealing kit (*)			10
Hinges kit			1/20
Sealing caps		12 pieces	10/100
Zinc-coated steel back plate	190x140		1
	240x190		1
	300x220		1
	380x300		1
	452x372		1

(\*) For boses 190x140 - 240x190 - 300x220 - 380x300 - 450x370.

## BOX WITH BLANK SIDES



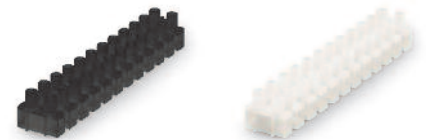
Cover	Dimensions (mm)	Fixing screws	☐	IP56 - BLANK COVER	IP56 - CLEAR COVER	IP56 - HIGHER BOX BLANK COVER	IP56 - HIGHER BOX CLEAR COVER
				⊕ 686.204	⊕ 686.224	⊕ 686.404	⊕ 686.424
Screw cover	100x100x50	4	1/40	⊕ 686.204	⊕ 686.224		
	100x100x80	4	1/24			⊕ 686.404	⊕ 686.424
	120x80x50	4	1/42	⊕ 686.205	⊕ 686.225		
	150x110x70	4	1/48	⊕ 686.206 (K1)	⊕ 686.226 (K1)		
	190x140x70	4	1/30	⊕ 686.207 (K1)	⊕ 686.227 (K1)		
	240x190x90	4 (◆)	1/16	⊕ 686.208 (K1)	⊕ 686.228 (K1)		
	240x190x125	4 (◆)	1/6			⊕ 686.408	⊕ 686.428
	300x220x120	4 (◆)	1/8	⊕ 686.209 (K1)	⊕ 686.229 (K1)		
	300x220x170	4 (◆)	1/6			⊕ 686.409	⊕ 686.429
	380x300x120	4 (◆)	1/4	⊕ 686.210 (K1)	⊕ 686.230 (K1)		
	380x300x170	6 (◆)	1/3			⊕ 686.410 (K1)	⊕ 686.430 (K1)
	450x370x130	6 (◆)	1	⊕ 686.211 (K2)	⊕ 686.231 (K2)		
	450x370x180	6 (◆)	1			⊕ 686.411 (K2)	⊕ 686.431 (K2)

(◆) Suitable for the hinges mounting.

(K1) It is possible to use the wall mounting brackets kit item 654.0021.

(K2) It is possible to use the wall mounting brackets kit item 654.0023.

## T85 TERMINAL STRIPS



Connecting capacity (mm <sup>2</sup> )	Pitch (mm)	Dimen. (mm)	Fixing hole Ø (mm)	Rated voltage	☐	⊕ 815.2361	⊕ 815.2361B
2,5	8	95,5x15,5x16	2,6	250V~	50/800	⊕ 815.2361	⊕ 815.2361B
4	10	120x16,6x17,4	3,5	450V~	50/400	⊕ 815.2362	⊕ 815.2362B
6	10	120x16,6x17,4	3,5	450V~	50/400	⊕ 815.23625	⊕ 815.23625B
10	11,5	138x23,5x20,5	3,5	450V~	25/300	⊕ 815.2363	⊕ 815.2363B
16	14,5	174x30x24	4,3	450V~	25/150	⊕ 815.2364	⊕ 815.2364B
25	17,5	210x38x36	4,3	750V~	15/60	⊕ 815.2365	⊕ 815.2365B
35	22	264x46x39	5,5	750V~	10/40	⊕ 815.2366	⊕ 815.2366B

- Max. service temperature - continuous duty: 85°C.

- 12 poles.

- Colour: black or white.




# CUBOX Series

1  
2  
ENCLOSURES

## JUNCTION BOXES FOR ELECTRICAL INSTALLATIONS



## VERSIONS

	- With cable sleeve and release cover
	- With cable sleeve and 1/4 turn screw cover
	- With blank sides and 1/4 turn screw cover

## REFERENCE STANDARDS

### EN 60670-1

Boxes and enclosures for electrical accessories for household and similar fixed electrical installations.  
*Part 1: general requirements.*

### EN 60670-22

Boxes and enclosures for electrical accessories for household and similar fixed electrical installations.  
*Part 22: particular requirements for connecting boxes and enclosures.*

## TECHNICAL CHARACTERISTICS

Protection degree:	<b>IP55</b>
Operating temperature according to the reference standard:	<b>-25°C +35°C</b>
Max. operating temperature:	<b>60°C</b>
Glow Wire test:	<b>650°C</b>
Material:	<b>Engineering plastic</b>
IK degree at 20°C:	<b>IK07</b>
Cable inlets:	<b>Cable sleeve / Blank sides</b>
Total insulation <input type="checkbox"/>	<b>Yes</b>
Halogen free:	<b>No</b>
DIN rail fixing:	<b>Yes</b>
Colour:	<b>Grey RAL 7035</b>

## BEHAVIOUR WITH CHEMICAL AND ATMOSPHERIC AGENTS

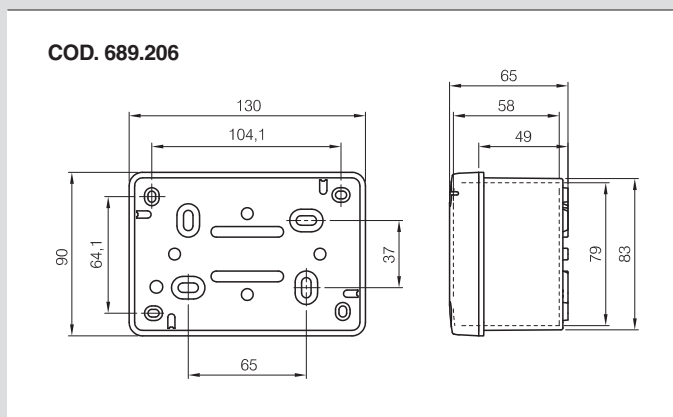
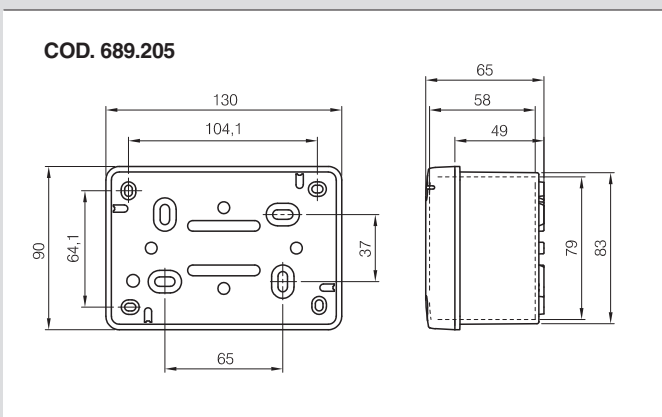
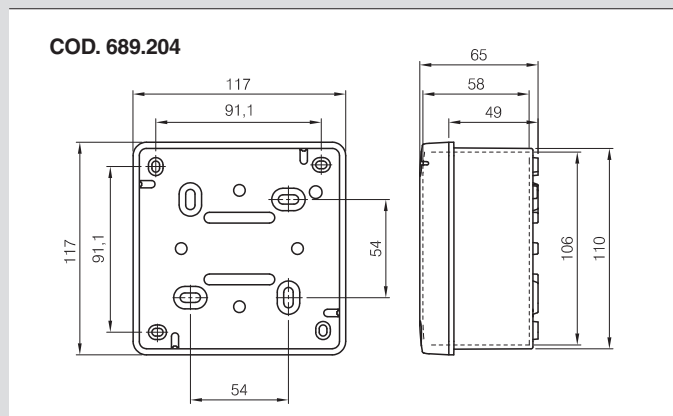
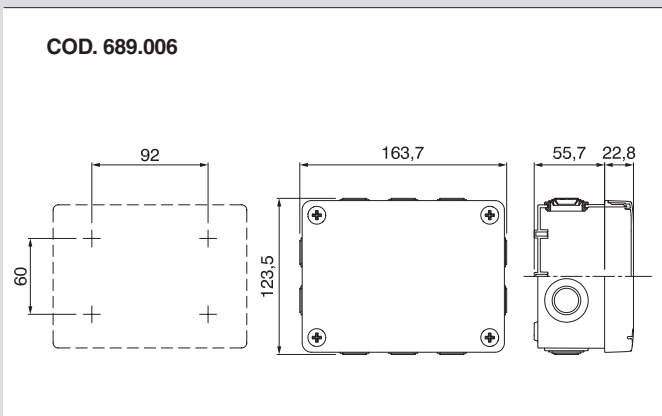
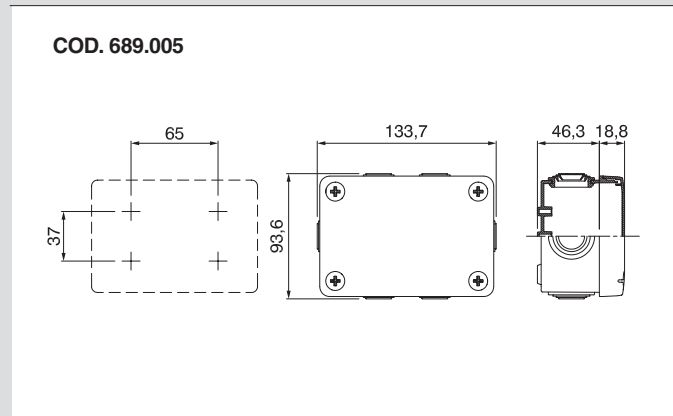
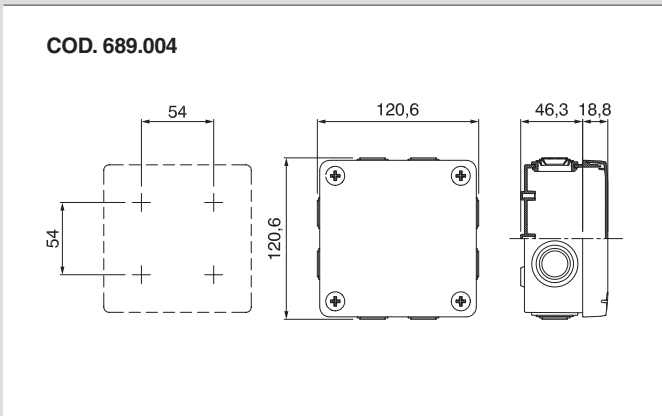
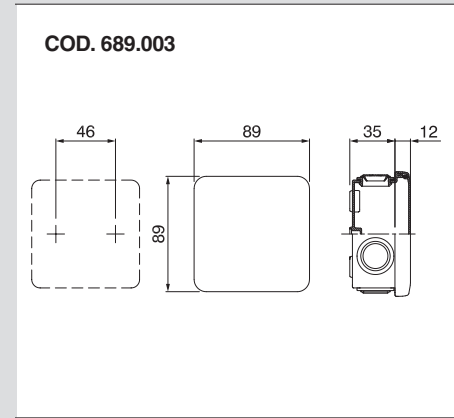
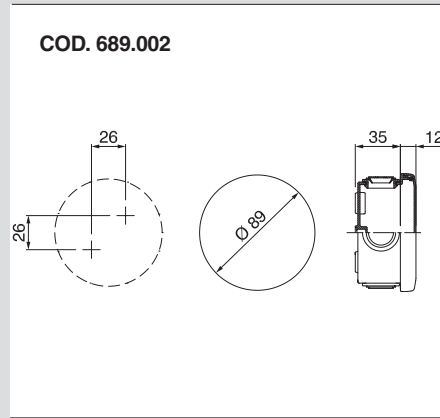
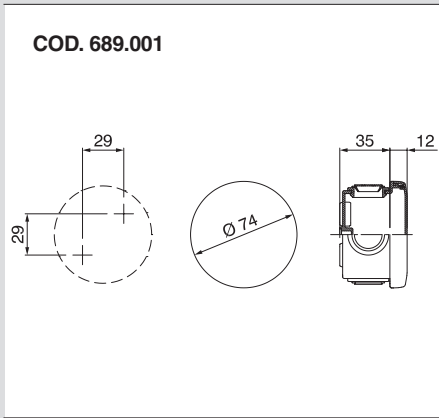
Saline solution	Acids		Bases		Solvents				Mineral oil	UV rays
	Concentrated	Diluted	Concentrated	Diluted	Hexane	Benzol	Acetone	Alcohol		
Resistant	Limited Resistance	Resistant	Resistant	Resistant	Not Resistant	Not Resistant	Not Resistant	Limited Resistance	Resistant	Resistant

For specific substances please contact our technical service.



3

**DIMENSIONS**



(Dimension in mm)





# CUBOX Series

## Surface mounting junction boxes

### BOX WITH CABLE SLEEVES - IP55

1

2

ENCLOSURES



	Dimensions (mm)	No. of inlets	For	Fixing screws		
Release cover	ø65x40	4xø23mm	PG 16	2	4/100	Ⓜ 689.001
	ø80x40	4xø23mm	PG 16	2	4/100	Ⓜ 689.002
	80x80x40	7xø23mm	PG 16	2	4/60	Ⓜ 689.003
Screw cover	100x100x50	7xø23mm	PG 21	4	1/48	Ⓜ 689.004
	120x80x50	6xø29mm	PG 21	4	1/54	Ⓜ 689.005
	150x110x70	10xø29mm	PG 21	4	1/40	Ⓜ 689.006

(♦) Suitable for the hinges mounting.

### BOX WITH CABLE SLEEVES AND TERMINAL STRIP - IP55

3



	Dimensions (mm)	No. of inlets	For	Fixing screws	Terminal strip		
Screw cover	100x100x50	7xø23mm	PG 21	4	6 poles - 6mm <sup>2</sup>	1/48	689.004.2
	120x80x50	6xø29mm	PG 21	4	6 poles - 10mm <sup>2</sup>	1/54	689.005.2
	150x110x70	10xø29mm	PG 21	4	8 poles - 16mm <sup>2</sup>	1/40	689.006.2


### ACCESSORIES



Description			
Sealing caps	12 pieces	10/100	654.0080

**BOX WITH BLANK SLEEVES - IP55**



Cover	Dimensions (mm)	Fixing screws		
Screw cover	100x100x50	2	1/40	Ⓜ 687.204
	120x80x50	2	1/42	Ⓜ 687.205
	150x110x70	2	1/48	Ⓜ 687.206

(♦) Suitable for the hinges mounting.



# ALUBOX Series

1

2

ENCLOSURES



3

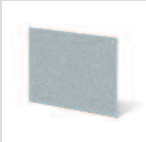
## JUNCTION BOXES FOR ELECTRICAL INSTALLATIONS



## VERSIONS



Enclosure IP66



Mounting plates



DIN rail kit

## REFERENCE STANDARDS

### EN 60670-22

Boxes and enclosures for electrical accessories for household and similar fixed electrical installations.  
Part 22: particular requirements for connecting boxes and enclosures.

## QUALITY MARKS



## TECHNICAL CHARACTERISTICS

Protection degree:	<b>IP66</b>
Operating temperature according to the reference standard:	<b>-25°C +60°C</b>
Max. operating temperature (Short period):	<b>-40°C +90°C</b>
Material:	<b>Alluminium alloy</b>
IK degree at 20°C:	<b>IK08</b>
Cable inlets:	<b>Blank sides</b>
DIN rail fixing	<b>Yes</b>
Colour:	<b>Grey RAL 9006 with metallic pigments</b>

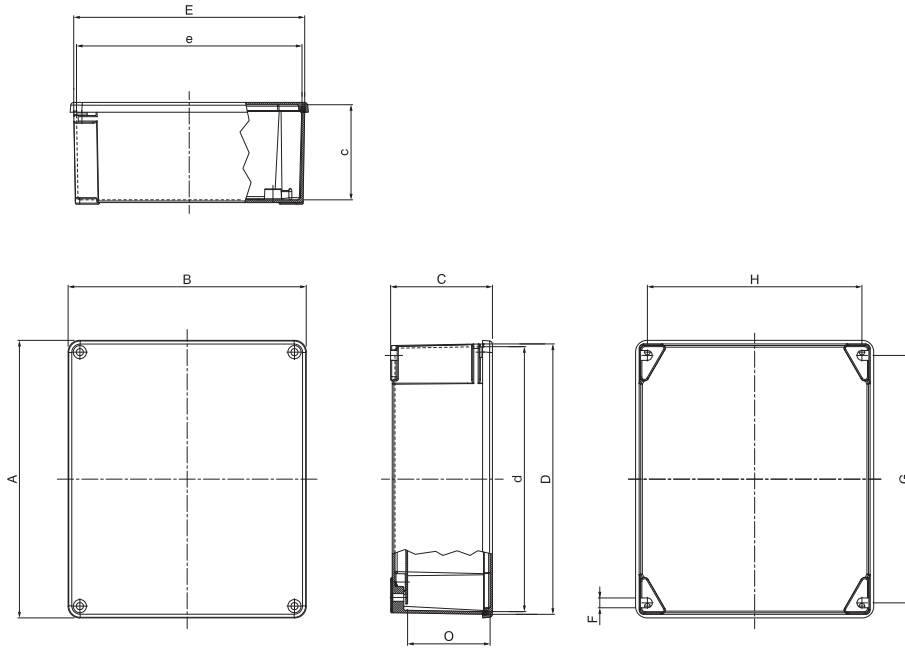
Heavy duty appliance for internal industrial applications.

## BEHAVIOUR WITH CHEMICAL AND ATMOSPHERIC AGENTS

Saline solution	Acids		Bases		Solvents				Mineral oil	UV rays
	Concentrated	Diluted	Concentrated	Diluted	Hexane	Benzol	Acetone	Alcohol		
Resistant	Limited Resistance	Resistant	Limited Resistance	Resistant	Limited Resistance	Limited Resistance	Limited Resistance	Resistant	Resistant	Resistant

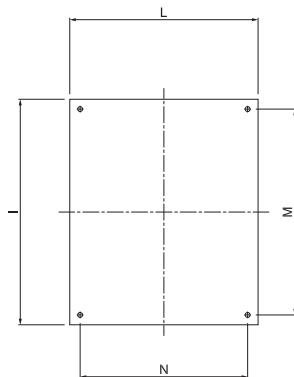
**DIMENSIONS**

**ENCLOSURES**



	External dimensions (with cover)			External box dimensions		Internal dimensions (with cover)			Surface mounting points			Useful height	
	A	B	C	D	E	c	d	e	F	G	H	O	
□	mm	mm	mm	mm	mm	mm	mm	mm	mm	mm	mm	mm	
653.00	32	100	100	59	94	94	53	90	90	6	88	80	X
653.01	24	140	115	60	134	109	55	130	104	6	120	100	45
653.02	16	166	142	64	160	136	58	156	132	7,5	144	125	48
653.03	12	192	168	80	185	161	74	180	156	6	168	149	64
653.04	6	253	217	93	247	211	85	242	206	9	226	196	75
653.05	2	314	264	122	305	255	114	299	249	9	275	236	103
653.07	1	410	315	153	400	305	144	393	298	9	367	283	127

**MOUNTING PLATES**



□	Enclosure	I	L	M	N
		mm	mm	mm	mm
653.011	1 653.01	122	97	107	66
653.012	1 653.02	147	123	121	98
653.013	1 653.03	165	124	153	112
653.014	1 653.04	206	172	188	153
653.015	1 653.05	254	210	238	198
653.017	1 653.07	349	260	333	248

# ALUBOX Series

## Aluminium junction boxes

### ENCLOSURES - IP66

1

2

ENCLOSURES



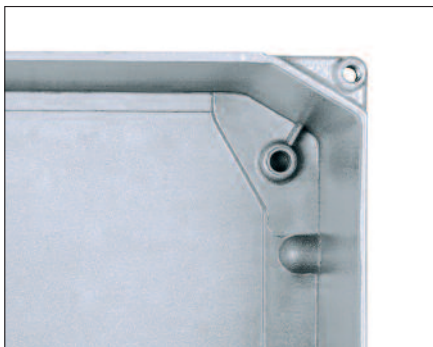
Dimensions (mm)		Screw for attaching cover	Earthing screws	Weight (Kg)		
100x100x59	☒	n° 2 M5x10mm	n°1 M4x6	0,255	1/32	653.00
140x115x60	☒	n° 4 M5x16mm	n°1 M4x6	0,400	1/24	653.01
166x142x64	☒	n°4 M5x16mm	n°1 M4x6	0,585	1/16	653.02
192x168x80	☒	n° 4 M5x16mm	n°1 M4x6	0,870	1/12	653.03
253x217x93	☒	n° 4 M6x20mm	n°1 M4x6	1,760	1/6	653.04
314x264x122	☒	n° 4 M6x20mm	n°1 M4x6	2,880	1/2	653.05
410x315x153	☒	n° 4 M6x20mm	n°1 M4x6	6,500	1	653.07

- Enclosure and cover in die-cast aluminium.
- Externally varnished.
- With stainless steel screws for attaching cover and self-tapping zinc-coated steel screws for earthing the enclosure and cover.

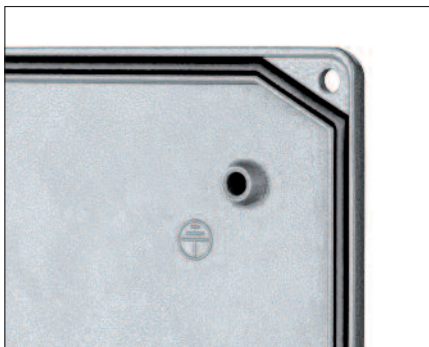
☒ = counter-sunk head screw.  
☒ = flat head screw.



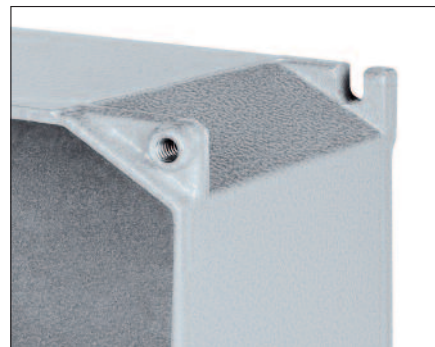
3



Enclosures and covers in aluminium alloy with blank walls and covered.

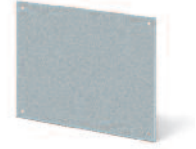


Holding seal in expanded EPDM, already mounted in place on the cover



Fixing to wall by brackets incorporated in the enclosure base

## ■ MOUNTING PLATES



For enclosures (mm)	Screw for attaching cover	Thickness (mm)	Weight (Kg)		
100x100x59					
140x115x60	n° 4 M4x6	1,5		1/40	653.011
166x142x64	n° 4 M4x6	1,5		1/20	653.012
192x168x80	n° 4 M4x6	1,5		1/20	653.013
253x217x93	n° 4 M4x6	1,5		1/10	653.014
314x264x122	n° 4 M4x6	1,5		1/10	653.015
410x315x153	n° 4 M4x6	2	0,770	5	653.017

- Zinc-coated steel plate.

- With zinc-coated steel self-tapping screws for attaching the plate.

## ■ DIN RAIL KIT



For enclosures (mm)		
100x100x59	1	653.020
140x115x60	1	653.021
166x142x64	1	653.022
192x168x80	1	653.023
253x217x93	1	653.024
314x264x122	1	653.025
410x315x153	1	653.027