



3.3

Light-fittings

■ HALE Series





HALE Series

LIGHT FITTINGS

REFERENCE STANDARDS

1

2

3

ASSEMBLIES



EN 60598-1

Luminaires.

Part 1: general requirements and tests.

EN 60598-2-8

Luminaires.

Part 2: particular requirements.

QUALITY MARKS



VERSIONS



HALE Series - IP20
- Standard version
- Heavy duty version



HALE Series - IP65

TECHNICAL CHARACTERISTICS

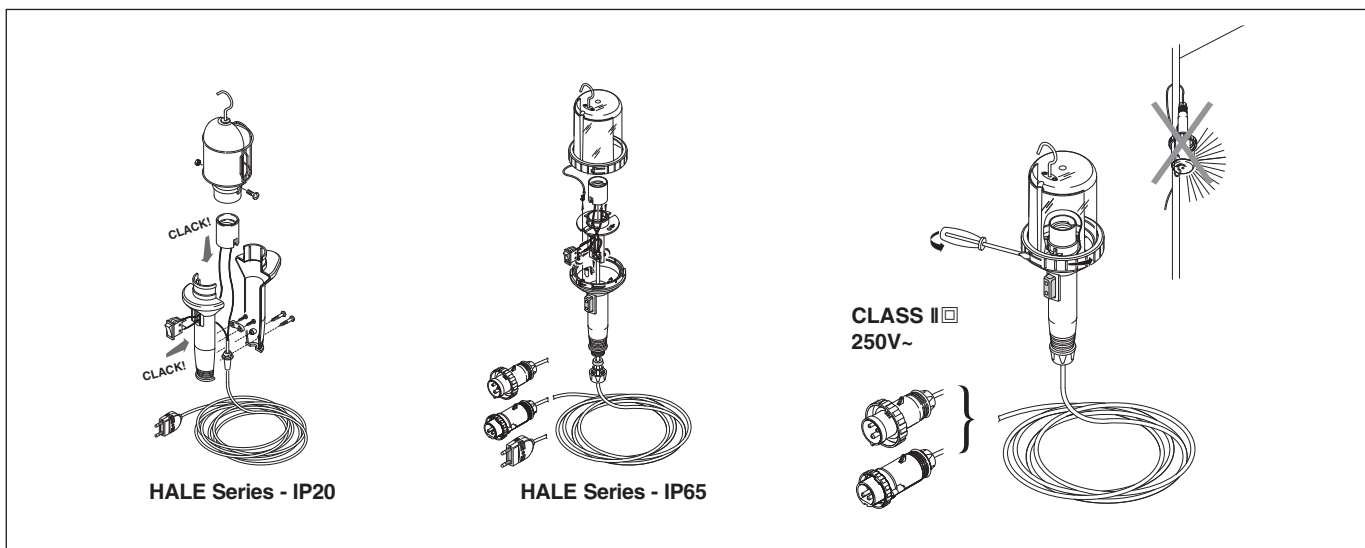
Protection degree:	IP20-IP65
Operating temperature according to the reference standard:	-5°C +35°C
Rated wattage:	60W
Glow Wire test:	650°C
IK degree at 20°C:	IK08 (IP65 version) IK09 (IP20 version)
Cable inlet:	8-13mm (version without cable)
Double insulation <input type="checkbox"/> :	Yes (Class II)
Lampholder type:	E27
Material:	Engineering plastic

BEHAVIOUR WITH CHEMICAL AND ATMOSPHERIC AGENTS

Saline solution	Acids		Bases		Solvents				Mineral oil	UV rays
	Concentrated	Diluted	Concentrated	Diluted	Hexane	Benzol	Acetone	Alcohol		
Resistant	Limited Resistance	Resistant	Limited Resistance	Limited Resistance	Limited Resistance	Not Resistant	Not Resistant	Resistant	Limited Resistance	Resistant

WITH PROTECTIVE GUARD AND ZINC - PLATED STEEL REFLECTOR - IP20


Cable	Plug	Supply	Lampholder	⊞	STANDARD VERSION	STANDARD VERSION	HD VERSION
Without cable and plug	-	-	E27	1/24	770.200		770.250
5m 2x0,75mm ²	Italian	2P-10A-250V	E27	1/24		Ⓢ 770.207	
10m 2x0,75mm ²	Italian	2P-10A-250V	E27	1/18		Ⓢ 770.208	

INSTALLATION


HALE Series

Portable lighting

■ WITH PROTECTIVE GUARD AND ZINC - PLATED STEEL REFLECTOR - IP20 (•)

1

2

3

ASSEMBLIES



Cable	Plug	Supply	Lampholder	☐	
5m 2x1mm ²	Italian	2P-10A-250V	E27	1/6	770.407
10m 2x1mm ²	Italian	2P-10A-250V	E27	1/6	770.408

- The degree of protection IP20 is due to the plug for domestic use, while the apparatus is IP65; for example, if plugged into a socket in the garage the lamp can be used in the garden.

Lighting devices with protective guard and zinc-plated steel reflector:

- Handgrip in insulating, non-hygroscopic thermoplastic material with tilting system that prevents the lamp, when placed on a flat surface, to directly irradiate said surface and thus prevent dangerous overheating.
- Tapered cable gland.
- Screw cable stay.

- Adjustable hook.
- Rocker switch and screw clamp for cable replacement.
- Protective guard that can be opened for light bulb replacement.
- Cable in PVC H05VV-F.
- For lamps up to 60W (incandescent).

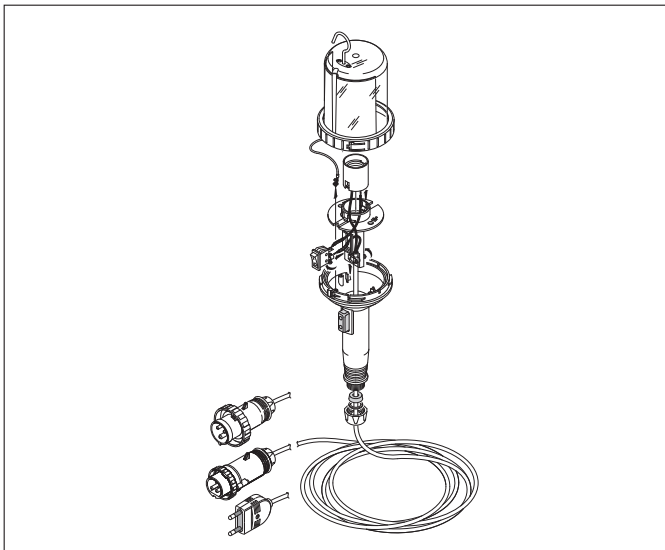
WITH PROTECTIVE GUARD AND ZINC - PLATED STEEL REFLECTOR - IP65



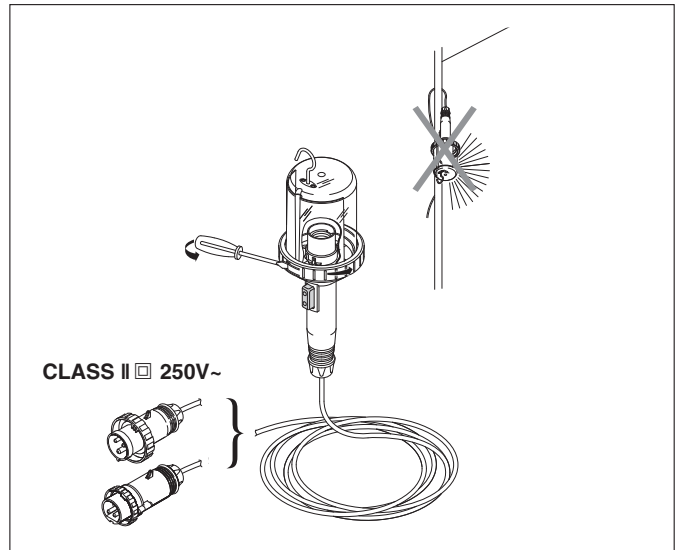
Cable	Plug	Supply	Lampholder	⊞		
Without cable and plug	-	-	E27	1/6		770.400
5m 2x1mm ²	IEC309	2P 16A-24V	E27	1/6		770.405
10m 2x1mm ²	IEC309	2P 16A-24V	E27	1/6		770.406
5m 2x1mm ²	IEC309 (●)	2P+E 16A-250V	E27	1/6		770.409
10m 2x1mm ²	IEC309 (●)	2P+E 16A-250V	E27	1/6		770.410

(●) EUREKA Series plug (the earth pole is not connected).
 For safety supply with transformer unit 24V~ (SELV) g see:
 - ADVANCE2 Series interlocked-switch socket outlets - MEGA Series

distribution assemblies - DOMINO400 Series distribution assemblies -
 BLOCK4 Series distribution assemblies - ROLLER450 Series cable reels.



HALE Series - IP65



Lighting devices with protective shell.

- Handgrip in non-hygroscopic technopolymer.
- Cable gland.
- Screw cable stay.
- Rocker switch and screw clamp for cable replacement.
- Reflecting parabola in aluminium.
- Protective shell in collision-proof technopolymer.

- For lamps up to 60W (incandescent).
- Cable in rubber H05RN-F.



CLASS II



E27

