



1.4

Modular series for domestic applications

■ UNIBOX Series

■ PROTECTA Series





UNIBOX Series

Surface mounting enclosures

1

PLUGS AND SOCKETS



2

3

ENCLOSURE FOR WIRING ACCESSORIES



VERSIONS



Surface mounting enclosure - IP55

REFERENCE STANDARDS

EN 60670-1

Boxes and enclosures for electrical accessories for household and similar fixed electrical installations.

Part 1: general requirements.

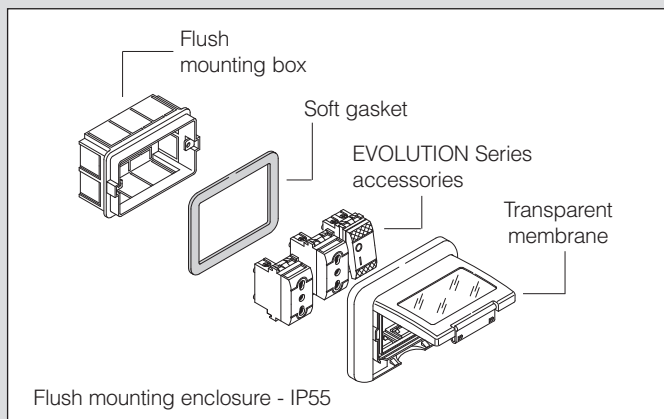
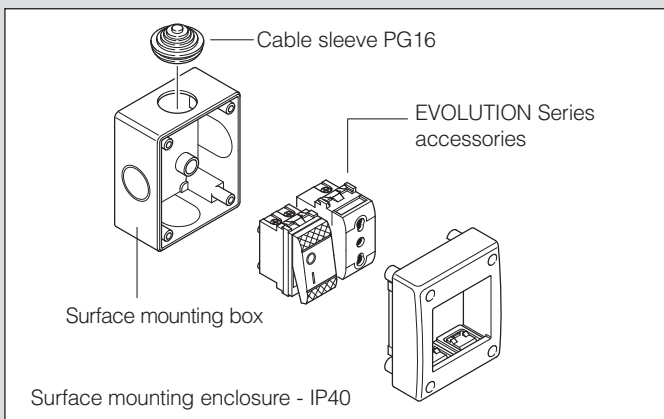
QUALITY MARKS



TECHNICAL CHARACTERISTICS

Protection degree:	IP40-IP55
Operating temperature according to the reference standard:	-5°C +35°C
Max. operating temperature:	60°C
Glow Wire test:	650°C
Material:	Engineering plastic
IK degree at 20°C:	IK06
Colour:	Grey RAL 7035 Anthracite RAL 7021 (flush mounting version)

EXAMPLES OF INSTALLATION



BEHAVIOUR WITH CHEMICAL AND ATMOSPHERIC AGENTS

Saline solution	Acids		Bases		Solvents				Mineral oil	UV rays
	Concentrated	Diluted	Concentrated	Diluted	Hexane	Benzol	Acetone	Alcohol		
Resistant	Limited Resistance	Resistant	Limited Resistance	Resistant	Not Resistant	Not Resistant	Not Resistant	Limited Resistance	Resistant	Resistant

SURFACE MOUNTING ASSEMBLED UNITS - IP55



Gang	Description			
1 gang	1 x 1P switch	(●)	32	136.5121-303
	1 x two-way switch	(●)	32	136.5121-323
	1 x bell push	(●)	32	136.5121-333



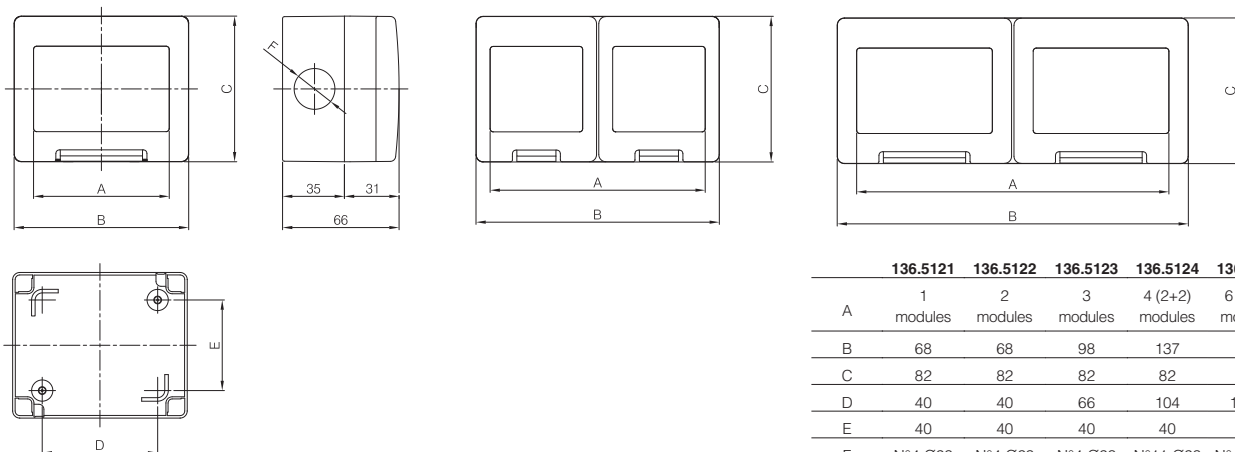
Gang	Description			
2 gang	1 x 15A British socket without switch	(●)	32	136.5122-414



Gang	Description			
3 gang	3 x 1P switch	(●)	24	136.5123-303
	1 x 6/16A Indian socket		24	136.5123-429
	1 x 13A British socket with switch	(●)	24	136.5123-413
	1 x 15A British socket with switch		24	136.5123-414

DIMENSIONS

SURFACE MOUNTING ENCLOSURE - IP55



(Dimensions in mm)

PROTECTA Series

Weatherproof switches and sockets - IP66

1

PLUGS AND SOCKETS




CONTROL DEVICE




REFERENCE STANDARDS

EN 60669-1
Switches for household and similar fixed-electrical installation.
Part 1: general requirements.

VERSIONS

- 

One way switch single pole
- flush mounting
- surface mounting
- 

Bell push switch single pole
- flush mounting

TECHNICAL CHARACTERISTICS

Rated current:	10A-10AX-20A-20AX
Rated voltage:	250V~
Frequency:	50Hz
Insulating voltage:	250V~
Protection degree:	IP66
Operating temperature:	-20°C +60°C
Cabling capacity of the terminal:	3x2,5mm² 2x4mm² 1x6mm²
Glow Wire test:	650°C/850°C
Halogen free:	Yes
Material:	Engineering plastic
Cable inlet:	M20
Colour:	Grey RAL 7035
LED colour:	Orange

BEHAVIOUR WITH CHEMICAL AND ATMOSPHERIC AGENTS

Saline solution	Acids		Bases		Solvents				Mineral oil	UV rays
	Concentrated	Diluted	Concentrated	Diluted	Hexane	Benzol	Acetone	Alcohol		
Resistant	Limited Resistance	Resistant	Limited Resistance	Resistant	Resistant	Not Resistant	Not Resistant	Resistant	Limited Resistance	Resistant

CONTROL DEVICES M95 (95x95mm)



Description		FLUSH MOUNTING		SURFACE MOUNTING
One way switch single pole	1 gang 10AX - 250V~ 1/12	137.3011		137.5011
One way switch single pole	2 gang 10AX - 250V~ 1/12		137.3021	137.5021
Bell push switch single pole "BELL"	1 gang 10A - 250V~ 1/12		137.3311B	

- Flush mounting: box not included.

SWITCH SOCKET OUTLETS



Description	Dimensions		FLUSH MOUNTING	SURFACE MOUNTING
15A - 250V~ S.P. switch	M115 (115x115mm) 1/12		137.4111	137.6111

- Flush mounting: box not included.

